



SAFETY & INSTRUCTION MANUAL

# PDP PISTOLS

EN

DE

FR

ES

IT



Read the instructions and warnings in this manual  
**CAREFULLY BEFORE** using this firearm.

**Note:**

This manual refers to the use of the pistol by civilian users. Instructions for law enforcement use may differ from what is described in this manual.

Throughout this instruction manual, position designations such as »left,« »right,« »forward,« »rear,« and so on, are referenced to a pistol held in a normal firing position.

In other words, pointed away from the shooter, barrel in a generally horizontal direction, and with the grip of the pistol pointing downwards.

Explanations in this manual are based on right hand operation. Left-handed users should operate vice versa.

Note that the illustrations in this manual are for explanation purposes and may differ from the actual gun.



SAFETY & INSTRUCTION MANUAL

# PDP PISTOLS

EN

DE

FR

ES

IT



Read the instructions and warnings in this manual  
**CAREFULLY BEFORE** using this firearm.

**Note:**

This manual refers to the use of the pistol by civilian users. Instructions for law enforcement use may differ from what is described in this manual.

Throughout this instruction manual, position designations such as »left,« »right,« »forward,« »rear,« and so on, are referenced to a pistol held in a normal firing position.

In other words, pointed away from the shooter, barrel in a generally horizontal direction, and with the grip of the pistol pointing downwards.

Explanations in this manual are based on right hand operation. Left-handed users should operate vice versa.

Note that the illustrations in this manual are for explanation purposes and may differ from the actual gun.

## TABLE OF CONTENTS

<b>1 Safety Instructions</b>	<b>4</b>
<b>2 Product Description</b>	<b>5</b>
2.1 Functional Description	5
2.2 Ammunition	6
2.3 Functional Elements	7
<b>3 Handling the Pistol</b>	<b>10</b>
3.1 Inspecting the Pistol	10
3.2 Loading	11
3.3 Firing	12
3.4 Exchanging empty Magazines	13
3.5 Unloading the Pistol	13
3.6 Clearing Misfires	14
<b>4 Field-Stripping, Cleaning, Lubrication, and Maintenance</b>	<b>15</b>
4.1 Main Components	15
4.2 Striker Assembly	16
4.3 Extractor	17
4.4 Magazine	20
4.5 Cleaning the Pistol	21
4.6 Lubrication	21
4.7 Maintenance before Storing	22
<b>5 Adjusting the Pistol to its User</b>	<b>23</b>
5.1 Magazine Release	23
5.2 Grip	24
5.3 Lanyard Loop	24
5.4 Sights	24
<b>6 Technical Specifications</b>	<b>27</b>

# PDP PISTOLS

## 1 SAFETY INSTRUCTIONS

### 1 SAFETY INSTRUCTIONS

- Before handling the pistol, thoroughly familiarize yourself with all of its functions and handling characteristics by carefully reading the entire instruction manual.
- When performing a safety check, before cleaning the pistol, prior to shooting, or when accessing a malfunction, always check that the firearm is unloaded (magazine removed from pistol and chamber clear). Visually check that the bore of the barrel is clear of any obstruction and the magazine is empty.
- When not shooting, keep ammunition stored separately from the pistol. Store each in separate and secure locations. Unauthorized persons, such as children, must not have access to either the ammunition or the pistol.
- Always treat every firearm as if it were loaded and would fire if the trigger is squeezed. Handle the pistol in a conscientious and professional manner so as to not endanger yourself or bystanders. Always keep the muzzle of the firearm pointed in a safe direction. Never point a firearm at anyone or anything you do not intend to shoot, whether or not it is loaded.
- Caution: Keep your finger off the trigger and outside of the pistol's trigger guard until you have aligned the pistol's sights on a safe target and you have made the decision to fire. Always be sure of your target and what is beyond it.
- Never use force when operating, checking, field-stripping, cleaning, or assembling the pistol. Incorrect handling will impair the functioning and safety of the pistol. The pistol must not be disassembled further than shown in this instruction manual.
- Safety and correct functioning are assured only when the pistol and ammunition are in prime condition.
- Always have the pistol inspected by a qualified gunsmith if you suspect it is not functioning properly or has been damaged, such as by corrosion, being dropped, and so on.
- Always wear adequate and proper hearing protection and safety glasses specified for firearm use. Also make sure others in the vicinity of where you will be shooting are also wearing adequate and proper hearing protection and safety glasses.
- Your firearm has been designed for use with a specific type and caliber of ammunition. The correct caliber intended for use in the pistol is marked on the pistol. Use only ammunition corresponding to the caliber of the weapon and which conforms to the provisions of the Commission Internationale Permanente pour l'Épreuve des Armes à Feu portatives (International Proof Commission/C.I.P.) or Sporting Arms and Ammunition Manufacturers' Institute (SAAMI). When using reloaded ammunition do not exceed the permitted gas/ chamber pressure according to C.I.P or SAAMI. Excessive pressure can damage or even destroy any firearm. Ammunition with velocities and pressures higher than those for which the weapon was designed will subject the weapon to additional stress, cause excessive wear, and may cause serious damage to the pistol.
- Before loading, always wipe off any excess grease and oil and make sure that the bore of the barrel is clean and clear of any obstruction.
- Do not alter, modify or replace any of the parts of the firearm unless specifically directed to do so in this manual. Any maintenance or service not specified in this manual must be performed by a qualified gunsmith using genuine WALTHER parts.

## 2 PRODUCT DESCRIPTION

- Improper or unauthorized adjustment of any component may affect the safety and reliability of the firearm and may cause serious injury or death.

### DISCLAIMER OF LIABILITY

The first concern when handling any firearm is safety. There is always a risk of inadvertent property damage, serious bodily injury or even death. WALTHER disclaims any and all liability for damage arising from use of this firearm that is improper and contravenes statutory regulations. The same applies for damage arising from failure to follow the instructions in this manual, unauthorized replacement of parts or any other modification to the pistol not expressly provided for in this manual.

## 2 PRODUCT DESCRIPTION

### 2.1 Functional Description

The WALTHER Pistol semi-automatic pistol operates on the short recoil, locked-breech system.

When the trigger is squeezed, the striker is released and strikes the primer in the cartridge. The primer explodes and ignites the powder, which produces rapidly expanding gases that propel the projectile down the bore of the barrel and out of the barrel. When the pistol is discharged the recoil drives slide and barrel to the rear at once. At this point the barrel and slide are locked together. However, after a brief interval of movement, the barrel is drawn downward and unlocked from the slide by the camming action beneath the chamber end of the barrel, and stops all rearward motion of the barrel. The slide continues to the rear, extracting the fired cartridge case from the chamber and ejecting it to the right.

Once the slide has moved to its rearmost position in the firing cycle, the recoil spring brings the slide forward again, stripping a new round from the magazine and feeding it into the chamber, followed by the cocking of the striker, and the locking of the barrel to the slide. After firing, the trigger must be released to fully cycle the lockwork. The operation cycle is completed with barrel, slide and trigger back in the starting position.

The trigger may be squeezed again to fire the next shot until the slide stays open on an empty magazine.

EN
DE
FR
ES
—

# PDP PISTOLS

## 2 PRODUCT DESCRIPTION

### 2.2 Ammunition



#### WARNING

Never use ammunition not specifically designated for use in your weapon. Failure to use the specific cartridge intended for use in the pistol may cause the pistol to jam, fail to fire or even generate excessive gas pressure which can damage or destroy the pistol, cause personal injury, death or property damage.

Locate the caliber designation marked on the pistol. This information indicates the ammunition specifically intended for use in the pistol (see 2.2. Figure 1).

Use only ammunition corresponding to the caliber of the weapon and which conforms to the provisions of C.I.P. or SAAMI. Check your ammunition before shooting it. Use ammunition in prime condition. A firearm and ammunition are a system and must work together. Their performance is closely related. Different combinations of bullet velocity, bullet weight and firearm weight can have major impact on felt recoil; high felt recoil can be uncomfortable to some shooters.



2.2 Fig. 1

#### For example:

- Gun Weight: lower gun weight increases felt recoil.
- Bullet Weight: higher bullet weight increases felt recoil.
- Bullet Velocity: higher bullet velocity increases felt recoil.

#### To adjust yourself to higher levels of felt recoil, consider the following:

- Use a firm two-hand hold on the grip when firing.
- Always begin your shooting experience with the lowest bullet velocity and lowest bullet weight available for your firearm.
- Ask your firearm dealer to suggest the lowest power, lowest velocity, lightest bullet weight for your firearm.
- You can also consider changing your firearm's grip configuration/composition to better fit your hand's specific size and shape.



## 2 PRODUCT DESCRIPTION

### 2.3 Functional Elements



**Thread Protector**

- |    |                  |    |                  |
|----|------------------|----|------------------|
| 1  | Slide            | 12 | Grip             |
| 2  | Front Sight      | 13 | Magazine Release |
| 3  | Take Down Catch  | 14 | Trigger          |
| 4  | Barrel           | 15 | Trigger Guard    |
| 5  | Slide Stop Notch | 16 | Frame            |
| 6  | Slide Serrations | 17 | Accessory Rail   |
| 7  | Slide Stop Lever | 18 | Model            |
| 8  | Rear Sight       |    |                  |
| 9  | Backstrap        |    |                  |
| 10 | Lanyard Loop     |    |                  |
| 11 | Magazine         |    |                  |

EN
DE
FR
ES
—

# PDP PISTOLS

## 2 PRODUCT DESCRIPTION

Pistol shown with slide locked back

- 19 Recoil Guide Rod
- 20 Muzzle
- 21 Serial Number
- 22 Slide End Cap



- 23 Cover Plate (OR only)
- 24 Ejection Port
- 25 Extractor (Loaded Chamber Indicator)

### 2.3.1 Loaded Chamber Indicator

The extractor doubles as a loaded chamber indicator. A color marking is visible when a cartridge or fired case is in the chamber (2.3.1 Fig. 1).



2.3.1 Fig. 1



### WARNING

Always treat every firearm as if it were loaded and ready to fire if the trigger is squeezed. Do not rely upon the loaded chamber indicator to verify the presence or absence of a round in the chamber. The surest method to determine the presence or absence of ammunition is to check the chamber of the firearm by removing the magazine and locking the slide in the open position. The amount of light, cleanliness of the pistol, and other factors may limit the effectiveness of the loaded chamber indicator. Cleaning solvents or wear may darken or remove the red color, or powder residue or dirt may cover it up. If you do not see the red dot, do not assume the chamber is empty. After first checking that the magazine has been removed, pull the slide back until you can look into the chamber and verify whether it is empty or not.

## 2 PRODUCT DESCRIPTION

### 2.3.2 Magazine Release

The magazine release is on the side of the grip.

#### Removing the magazine:

Grasp the pistol with your finger off the trigger and outside the trigger guard. Depress the magazine release and remove the magazine from the pistol (2.3.2 Figure 1).



2.3.2 Fig. 1

### 2.3.3 Slide Stop

#### Locking the slide in the “open” position:

Grasping the grip of the frame and with your finger off the trigger and outside the trigger guard, depress the magazine release, and completely remove the magazine. Firmly grasp the serrated sides of the slide from the rear with the thumb and fingers. While steadily holding the grip, briskly pull the slide fully rearward to extract any cartridge from the chamber and clear it from the pistol. To lock the slide in the open position, allow the slide to move slightly forward from the rearmost position while pressing upward on the slide stop (2.3.3 Figure 1).



2.3.3 Fig. 1

#### Releasing the slide from the slide stop:

Press down on the slide stop with the thumb of your shooting hand to release the slide and allow it to move fully forward. For easier operation of the slide stop grasp the serrated sides of the slide from the rear and pull the slide to the rear while pressing down on the slide stop to release the slide and allow it to move fully forward.

### 2.3.4 Magazine

When the magazine is removed from the magazine well in the grip, the number of rounds can be seen in the witness holes (2.3.4 Figure 1).



2.3.4 Fig. 1

EN
DE
FR
ES
—

# PDP PISTOLS

## 3 HANDLING THE PISTOL

### 3 HANDLING THE PISTOL

#### 3.1 Inspecting the Pistol

- When you inspect the pistol, you should first check to ensure that it is unloaded. To do this, grasp the grip of the frame with your finger off the trigger and outside the trigger guard, point the muzzle in a safe direction, depress the magazine release and remove the magazine (3.1 Figure 1).
- Grasp the serrated sides of the slide from the rear with the thumb and fingers as shown in 3.1 Figure 2, and briskly draw the slide fully rearward in order to extract any cartridge from the chamber and clear it from the pistol. Do not obstruct the ejection port because doing so can interfere with the proper ejection of a cartridge.
- Lock the slide in the open position by allowing the slide to move slightly forward from the rearmost position while pressing upward on the slide stop (3.1 Figure 3).
- Check the chamber to verify that it is unloaded and check the bore visually that it is clean, dry, and free from any obstructions (3.1 Figure 4).

You must follow this procedure every time the pistol leaves your hand, is cleaned, handed to you or another person, transported or stored.



3.1 Fig. 1



3.1 Fig. 2



3.1 Fig. 3



3.1 Fig. 4



#### **WARNING**

Never rely on mechanical features alone. Your proper handling of the pistol will ensure the safety of your firearm. Firearm Safety is always your responsibility.

## 3 HANDLING THE PISTOL

### 3.2 Loading

#### 3.2.1 Magazine

When the magazine is removed from the magazine well in the grip, the number of rounds can be seen in the witness holes.



### CAUTION

WALTHER has provided you with a magazine designed to operate in your specified model of pistol. While your magazine may be able to be inserted into another model pistol, it will only function properly in the specific model for which it was designed. Do not interchange magazines from one model pistol to another model pistol. Failure to use the particular type of WALTHER magazine specified for your model and caliber of pistol may result in a malfunction or may damage your pistol and magazine.



3.2.1 Fig. 1



### WARNING

Do not attempt to load the magazine with more than the specified number of cartridges because doing so may cause a failure to feed a round of ammunition into the chamber. Do not use excessive force when loading the magazine, as this may damage the magazine. Damaged or defective magazines cause malfunctions and may cause improper functioning of the pistol.

Load the magazine by pressing a cartridge base (rear of cartridge) downward on the forward portion of the magazine follower (or downward on the case of a previously loaded cartridge) and sliding the cartridge fully under the lips of the magazine until the cartridge base is against the rear wall of the magazine. Repeat the procedure for the number of cartridges you wish to load, up to the magazine capacity (3.2.1 Figure 2).

**Loading may be made easier with the aid of the WALTHER**

**Magazine Loader:** Put the magazine loader with its long wall oriented to the rear on top of the magazine (3.2.1 Figure 3). Press down the magazine loader and insert a cartridge with your other hand (3.2.1 Figure 4). Let the magazine loader go up again. Push in the cartridge completely with your hand (3.2.1 Figure 5). Repeat the procedure for the number of cartridges you wish to load, up to the magazine capacity.



3.2.1 Fig. 2



3.2.1 Fig. 3



3.2.1 Fig. 4



3.2.1 Fig. 5

# PDP PISTOLS

## 3 HANDLING THE PISTOL

### 3.2.2 Loading the Pistol

- Inspect the pistol as shown in section 3.1.
- Grasp the pistol with your finger off the trigger and outside the trigger guard, point the muzzle in a safe direction. Insert the loaded magazine into the magazine well of the pistol until it is locked in place. To make sure that the magazine is fully and securely inserted, try pulling down on the exposed portion of the magazine floorplate. It should not move.
- Pull the slide fully to the rear and let go allowing it to move fully forward.



### CAUTION

Always load a round into the chamber by feeding it from the magazine. Never attempt to load the pistol by inserting a round into the chamber via the open ejection port. Failure to follow this warning may result in severe injury or death to you or others.



### WARNING

THE PISTOL IS NOW LOADED AND READY TO FIRE. The pistol and its magazine are now loaded and will fire when the trigger is squeezed.

Remember to keep the muzzle pointed in a safe direction under all conditions and always keep your finger or any other object off the trigger and outside the trigger guard until you decide to fire the pistol. Never leave a loaded firearm unattended or out of your direct control.

### 3.3 Firing

- Keep the muzzle pointed in a safe direction and your finger off the trigger and outside the trigger guard until you are ready to fire.
- How a handgun is gripped affects recoil and trigger control. Always ensure that you maintain a firm grip and proper alignment of the pistol. The design of the Pistol frame offers a high degree of control permitting the shooter to obtain an elevated grip closer to the pistol's bore axis.
- With a firm grip, allow your finger to be placed squarely across the face of the trigger. Squeeze the trigger fully to the rear. As the trigger is drawn fully to the rear, the striker is released, striking the cartridge primer. Upon firing, the slide moves rearward thereby extracting and ejecting the spent cartridge case. The slide then returns forward feeding the next cartridge from the magazine into the chamber.
- After firing you must allow the trigger to move fully forward before you can fire the next shot. Keep your finger off the trigger and outside the trigger guard until you are ready to fire again. This sequence can be repeated until the last round has been fired.
- Once the last round has been fired, the magazine follower exerts upward pressure on the slide stop causing it to engage the slide and to hold it in the "open" position.

## 3 HANDLING THE PISTOL



### CAUTION

Wear adequate and proper hearing protection and safety glasses specified for firearm use. Upon firing the pistol or releasing the slide from its stop, the slide moves with significant force and speed. To avoid injury, be attentive to the moving slide so as to not make contact with any part of your body.

EN

DE

FR

ES

### 3.4 Exchanging empty Magazines

Once the last round has been fired, the magazine follower exerts upward pressure on the slide stop causing it to engage the slide stop notch thereby holding it in the "open" position.

- Depress the magazine release and remove the magazine.
- To continue shooting, insert another loaded magazine.
- Pull the slide fully to the rear, let it go and allow it to run fully forward.



### WARNING

The pistol is ready to fire. With the muzzle still pointing in a safe direction, keep your trigger finger off the trigger and outside the trigger guard until ready to fire.

### 3.5 Unloading the Pistol

- Point the muzzle in a safe direction. Make sure your finger is off the trigger and out of the trigger guard. Depress the magazine release and remove the magazine (3.5 Figure 1).
- Grasp the serrated sides of the slide from the rear with the thumb and fingers (3.5 Figure 2), and briskly draw the slide fully rearward in order to extract any cartridge from the chamber and clear it from the pistol. Do not obstruct the ejection port because doing so can interfere with proper ejection of a cartridge.
- Lock the slide in the open position by allowing the slide to move slightly forward from the rearmost position while pressing upward on the slide stop (3.5 Figure 3).



3.5 Fig. 1



3.5 Fig. 2



3.5 Fig. 3

# PDP PISTOLS

## 3 HANDLING THE PISTOL

- Visually check the barrel chamber to be sure it is empty (3.5 Figure 4). Look into the chamber and down through the magazine well. Verify that no ammunition remains in the pistol.
- Unload the magazine by holding it with the bullet end of the cartridge pointing away from you and pressing each cartridge forward and out of the magazine.



3.5 Fig. 4



### WARNING

Also remember that any time you release the slide while a magazine containing cartridges is in the pistol, you will have chambered a new round in the pistol. The pistol will be ready to fire.

### 3.6 Clearing Misfires

- If a cartridge fails to fire, wait ten seconds while keeping the muzzle pointed in a safe direction.
- Follow the procedure as described in section "3.5 Unloading the Pistol".
- Check the barrel chamber and bore visually for any obstructions. You must be certain there are no cartridges in the chamber or obstructions in the barrel. If there are any obstructions in the bore of the barrel have the pistol further examined and repaired by a qualified gunsmith before using again.



## 4 FIELD-STRIPPING, CLEANING, LUBRICATION, AND MAINTENANCE



### CAUTION

Check that the pistol is unloaded (magazine removed from pistol and chamber clear). Also ensure that the magazine is unloaded.

### 4.1 Main Components



### WARNING

To complete disassembly, you will be required to pull the trigger. If you have failed to properly unload your pistol and a live round is left in the chamber, the pistol will discharge and may cause serious injury or death to yourself or others and damage to property. Therefore, you must visually inspect the chamber and magazine well (opening) to ensure that they are empty before pulling the trigger.

#### 4.1.1 Field-Stripping Disassembly

- Remove the magazine and unload the pistol. Lock the slide in the open position. Look into the chamber and down through the magazine well. Verify that no ammunition remains in the pistol.
- Close the slide: Pull the slide slightly to the rear. Slowly release the slide, allowing it to return to forward position.
- Point the pistol in a safe direction. Squeeze the trigger fully to the rear.
- Grip the take down catch from above on both sides and press downwards (4.1.1 Figure 1).
- Move the slide forward, and remove it from the frame.
- Remove the recoil guide rod assembly from below the barrel while taking up the spring pressure (4.1.1 Figure 2).
- Remove the barrel from the slide.
- The main components of the pistol are shown in 4.1.1 Figure 3.



4.1.1 Fig. 1



4.1.1 Fig. 2



4.1.1 Fig. 3

# PDP PISTOLS

## 4 FIELD-STRIPPING, CLEANING, LUBRICATION, AND MAINTENANCE

### 4.1.2 Field-Stripping Reassembly

- Hold the slide upside-down. Place the barrel inside the slide with the locking lugs oriented as shown in 4.1.2 Figure 1.
- Insert the recoil guide rod assembly: Place the smaller (black) end of the recoil rod into the spring mounting at the front of the slide, and then insert the large polymer end of the recoil spring into the lower barrel recess, while taking up the spring pressure (4.1.2 Figure 1).



4.1.2 Fig. 1



#### NOTE:

It is normal for the recoil guide rod assembly to flex when it is installed.

- Push the slide from the front into the slide guides of the frame (4.1.2 Figure 2), far enough for the take down catch to engage, making sure that the slide also engages the rear slide guides of the frame. Release the slide and allow it to move fully forward into the locked position.



4.1.2 Fig. 2

### 4.2 Striker Assembly

#### 4.2.1 Remove Striker Assembly

- Field strip the pistol following the field stripping instructions in section 4.1.1
- Place the muzzle end of the slide on a smooth, flat surface. Grasp the slide at the rear slide serrations, push in the pin through the square opening located at the top right side of the slide end cap using a 2 mm drift punch (4.2.1 Fig. 1) and remove the slide end cap by sliding it downwards (4.2.1 Fig. 2).
- Remove the striker assembly from the slide (4.2.1 Fig. 3).



4.2.1 Fig. 1



4.2.1 Fig. 2



4.2.1 Fig. 3

## 4.2.2 Install Striker Assembly

- Insert Striker Assembly (4.2.2 Fig. 1)
- Using the slide end cap, press the striker assembly into the slide and reinsert the slide end cap from the bottom of the slide until it snaps in place (4.2.2 Fig. 2).



4.2.2 Fig. 1



4.2.2 Fig. 2

## 4.3 Extractor



**NOTE:** The striker interferes with the striker safety. If you want to remove the striker safety, first remove the striker assembly as described in section 4.2, and then continue with the extractor and the striker safety.

Operating the gun without cover plate or mount base may cause the extractor pin and the extractor to fly out.

### 4.3.1 Remove Extractor



## WARNING

Also remember that any time you release the slide while a magazine containing cartridges is in the pistol, you will have chambered a new round in the pistol. The pistol will be ready to fire.

### PDP OR Models

- Remove the cover plate or the reflex sight and the mount base. Refer to section 5.4.3 to do so.
- Hold the slide upside down. Use a 2 mm drift punch to drift the extractor pin out (4.3.1 Fig. 1).
- Cover the striker safety with a finger while you pivot the extractor out. Remove the striker safety assembly from the slide (4.3.1 Fig. 3).
- Do not remove the extractor spring from its seat inside the extractor slot. The extractor spring has on one side an end coil of larger diameter which secures it from falling out.



4.3.1 Fig. 1

EN

DE

FR

ES

# PDP PISTOLS

## 4 FIELD-STRIPPING, CLEANING, LUBRICATION, AND MAINTENANCE

### PDP Open Sight Models

- Place the slide upside down with the muzzle facing to the left.
- Use a 2 mm drift punch to force the extractor pin into the slide against the spring force (4.3.1 Fig. 1) until the rear end of the extractor pops out. Remove the drift punch.
- Cover the striker safety and the extractor plunger with a finger while you pivot the extractor out. Remove the striker safety assembly and the extractor plunger assembly from the slide (4.3.1 Fig. 2)
- Do not remove the extractor spring from its seat inside the extractor slot. The extractor spring has on one side an end coil of larger diameter which secures it from falling out.



4.3.1 Fig. 2



4.3.1 Fig. 3

### 4.3.2 Install Extractor

#### PDP Open Sight Models

- Place the slide upside down with the muzzle facing to the left.
- Insert the extractor plunger assembly into the slide with its spring first.
- Secure the safety plunger's spring in the hole of the plunger by putting a little gun lube on the spring. Do not use any grease when trying to keep the spring from falling out! Insert the striker safety assembly into the slide with its spring first. Ensure the striker safety spring enters the deepest part of its blind hole. When inserted correctly, the safety should be just above the feed rib next to it (4.3.2 Fig. 1).
- Align the rear end of the extractor to the extractor slot (4.3.2 Fig 2) and press it towards the slide with the thumb of your other hand. Push down the extractor plunger with a 2 mm drift punch and press in the extractor until they hold each other without pressing in the extractor completely. Remove the drift punch, while the eyelet of the extractor holds down the extractor plunger.



4.3.1 Fig. 4



4.3.2 Fig. 1



4.3.2 Fig. 2

- Hold the safety plunger down flush with the surface of the slide. Press in the extractor completely until the plunger snaps into the hole of the extractor.
- Follow the instructions in section 4.2.2 to install the striker assembly.

### PDP OR Models

- Place the slide upside down with the muzzle facing to the left.
- Secure the spring of the striker safety plunger using a little gun lube (do not use any grease!) in the hole of the plunger to prevent it from falling out. Insert the striker safety assembly into the slide with its spring first. Ensure the striker safety spring enters the deepest part of its blind hole. When assembled correctly, the safety should be slightly below the feed rib next to it (4.3.2 Fig. 1).
- Align the rear end of the extractor to the extractor slot and press the extractor towards the slide with the thumb of your other hand (4.3.2 Fig. 2).
- Hold the safety plunger down flush with the surface of the slide. Press in the extractor completely as you insert the extractor plunger from the top. Check for correct alignment of the extractor plunger hole as you insert the plunger.
- Refer to section 5.4.3 put the cover plate or your reflex sight back on.

EN

DE

FR

ES

# PDP PISTOLS

## 4 FIELD-STRIPPING, CLEANING, LUBRICATION, AND MAINTENANCE

### 4.4 Magazine

#### 4.4.1 Disassembly



### WARNING

The magazine spring is under pressure. Use caution when stripping down the magazine. Control the floorplate catch and the magazine spring while you remove the floorplate so that they do not fly out and cause injury.

1. Using a 4 mm drift punch, depress the floorplate catch through the hole in the floorplate (4.4.1. Figure 1).

+2 Magazine:

Locate the metal tab at the rear base of the magazine. While the floorplate is fully seated to the rear of the magazine insert a flat bladed screwdriver in the slot of the metal tab and push the tab towards the top of the magazine until the tab protrudes from the base of the magazine (4.4.1. Figure 2).

2. Slide the floorplate forward off of the magazine tube while continuing to depress the floorplate catch in the tube.
3. Remove the floorplate catch and spring carefully from the magazine tube through the bottom of the tube.
4. Turn the tube right side up and remove the follower through the bottom of the tube.



4.4.1 Fig. 1



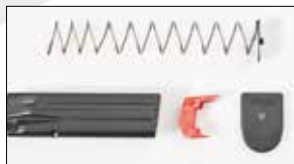
4.4.1 Fig. 2

#### 4.4.2 Assembly

1. Install the follower and magazine spring plus floorplate catch in reverse order back into the tube in exactly the same orientation as they were in when they were first removed during disassembly (4.4.2 Figure 1 and 2). Never use excessive force when assembling the magazine.
2. While holding the floorplate catch in the tube, slide the floorplate onto the tube so that the round projection of the floorplate catch engages the hole in the floorplate. There will be an audible "snap" heard.

+2 Magazine:

Hold the tab flush with magazine body while sliding the floorplate on the tracks fully to the rear. Push the tab into the correct seating.



4.4.2 Fig. 1



4.4.2 Fig. 2

## 4.5 Cleaning the Pistol



### WARNING

Check that the pistol is unloaded (magazine removed from pistol and chamber clear). Also ensure that the magazine is unloaded.

After each use of the pistol or after being subjected to extreme weather conditions, the pistol should be cleaned and lubricated. Also, before using the pistol for the first time, it should be examined and cleaned. The pistol has been treated with either a preservative or oil to protect it against corrosion. Before using it, all excess oil should be wiped from the bore, chamber, and exposed areas using a clean swab or patch. Field-strip the pistol as previously described. Starting with the barrel and from chamber end, insert a brush through the bore of the barrel until the bristles completely exit at muzzle end. Pull the brush back until the bristles completely exit at chamber end. Use a good powder-removing solvent and brass bristle bore brush to remove lead and firing residue from the interior of the barrel. Wipe the areas clean with patches or a swab. Using a small brush dipped in solvent, remove all deposits from around the breech face, chamber end of the barrel, extractor and adjacent areas which have been exposed to powder or primer residue. Remove any residue on the frame with light brushing and a solvent. After cleaning, apply a light film of high quality gun lubricant to all external metal surfaces and wipe clean.

If the pistol will be used or stored in a cold climate, be sure to use appropriate lubricant that will not congeal at low temperatures.

## 4.6 Lubrication

After cleaning the entire pistol, use a cloth to apply a light film of high quality gun lubricant to all external metal surfaces and wipe clean.

Do not over-lubricate the pistol to the extent where lubricant will be dripping or running down the handgun. Excess lubricant can attract dirt, unburned powder and carbon residue, which can interfere with proper functioning of the pistol. Do not put any gun lubricant into the striker channel (4.6 Figure 1).



### CAUTION

Always follow the instructions provided with the gun cleaner and gun lubricant. Some cleaners can cause damage to the pistol. You should avoid prolonged solvent immersion and prolonged ultrasonic cleaning of the pistol (maximum temperature for ultrasonic cleaning: 50 °C (122 °F)). Choice of solvent should be restricted to those products specifically developed for firearms maintenance. Damage to a firearm's finish may occur if these warnings are ignored. Ammonia based solvents or other strong alkaline solvents, should not be used on any WALTHER firearm.

# PDP PISTOLS

## 4 FIELD-STRIPPING, CLEANING, LUBRICATION, AND MAINTENANCE

- **Barrel:**

Use a cloth to apply a light film of high quality gun lubricant to all external surfaces and the ramp where the locking block cams the barrel (A, B).

- **Frame:**

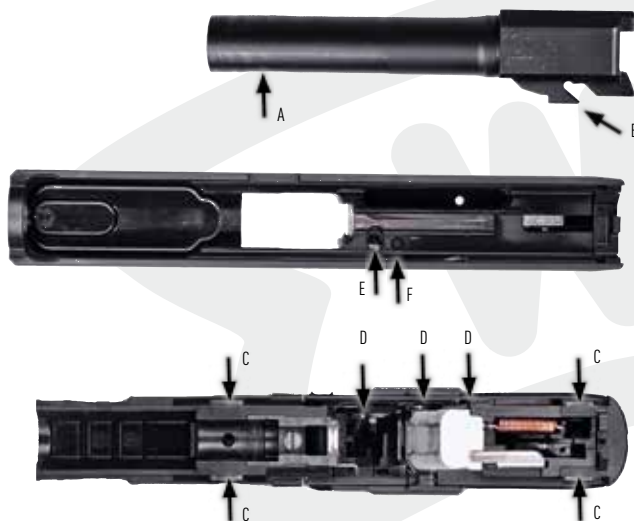
Put only one drop of lubricant on the slide guides (C), and on the trigger bar (D).

- **Slide:**

Put only one drop of lubricant on the safety plunger (E) and the disconnecter cut (F).

- **Magazine:**

Apply a light film of high quality gun lubricant to all external metal surfaces.



4.6 Fig. 1

### 4.7 Maintenance before Storing

Obey all laws and regulations relating to the storage of firearms. You must familiarize yourself with all local, state, and federal laws regarding the safe storage of firearms and ammunition. When storing the pistol, do not encase the firearm in anything that will attract or hold moisture, such as leather or heavy cloth. If the firearm is to be stored for an extended period, the bore, chamber and internal working mechanism should be lubricated with a high quality lubricant or preservative intended for firearms. The external working mechanisms, slide, barrel, and magazine should be coated with anti-corrosion lubrication.

Before using the pistol again, be sure to clean it. Every time you clean the firearm, check it for signs of wear. If wear is noted, do not use the firearm. Return it to WALTHER for service or have it checked by a qualified gunsmith.



# 5 ADJUSTING THE PISTOL TO ITS USER



## 5 ADJUSTING THE PISTOL TO ITS USER

### 5.1 Magazine Release

The magazine release is reversible. In case you wish to reverse it, a 1 mm drift and a small screwdriver (2.5 mm) is needed to do so.

1. Keep the magazine release pressed. By doing so, the magazine release moves out on the opposite side, revealing a small hole on its rearward facing end. Insert a 1 mm drift into the hole as far as it will go (5.1 Figure 1).
2. Press in the drift. This will disengage the latch of the magazine release keeper (the individual parts are shown in 5.1 Figure 2).
3. Use a 2.5 mm screwdriver to lift the keeper upwards and out (5.1 Figure 3). In case the keeper does not come out, try lifting the keeper with the screwdriver while pressing in the drift.
4. Remove the magazine release (5.1 Figure 4) and the compression spring from the opposite side.
5. Insert the compression spring on the side you wish to have the magazine release from now on (5.1 Figure 5).
6. Insert the magazine release from the same side as the compression spring was previously (5.1 Figure 6).
7. While pressing the magazine release, insert the keeper from the opposite side. Press in the keeper until an audible "snap" is heard (5.1 Figure 7 and 8).



5.1. Fig. 1



5.1. Fig. 2



5.1. Fig. 3



5.1. Fig. 4



5.1. Fig. 5



5.1. Fig. 6



5.1. Fig. 7



5.1. Fig. 8

EN

DE

FR

ES

# PDP PISTOLS

## 5 ADJUSTING THE PISTOL TO ITS USER

### 5.2 Grip

If the grip of the pistol does not fit your hand comfortably, the backstrap can be replaced with another size to better suit your hand.

To do so, push the pin in the bottom part of the backstrap out using a 4 mm drift punch, exchange the backstrap for one with a better fit and replace the pin (5.2 Figure 1).



5.2 Fig. 1

### 5.3 Lanyard Loop

A lanyard loop for attachment of a lanyard is found at the lower end of the backstrap. The pin used to fasten the backstrap forms, together with a recess in the backstrap, an eyelet for attachment of a lanyard.

To attach a lanyard, push the pin in the bottom part of the backstrap out using a 4 mm drift punch, insert the lanyard, then replace the pin.

### 5.4 Sights

The front and rear sight are replaceable. The point of impact is adjustable for windage and elevation. Elevation adjustments are made by using front sights of varying height. If the shots group low, use a lower front sight. For high grouping, use a higher one.



## WARNING

Make sure the handgun is unloaded before making any manipulation.

Field-strip the pistol as described in section 4.1.1.

#### 5.4.1 Polymer Sights

##### FRONT SIGHT

Unscrew the front sight from the bottom of the front sight. Push the front sight out of the slide. Assembly is in reverse order. Screw in the front sight screw until it is flush (5.4.1 Fig. 1).



5.4.1 Fig. 1

##### REAR SIGHT

If shots group high, turn the rear adjustment screw clockwise, if they group low, turn it counter clockwise. Adjustment by one click moves the impact point approximately 2 cm at a distance of 25 m.

If shots group to the left, turn the forward adjustment screw clockwise, if they group to the right, turn it counter clockwise. Adjustment by one click moves the impact point approximately 1 cm at a distance of 25 m (5.4.1 Fig. 2).



5.4.1 Fig. 2

## 5 ADJUSTING THE PISTOL TO ITS USER



### 5.4.2 Iron Sights

#### ELEVATION

Remove the front sight screw and press the front sight upwards and out. Assembly is in reverse order (5.4.2 Fig. 1). Remember to make sure the screw and the thread inside the front sight are free of oil or grease. The thread of the front sight screw should be secured using an industrial adhesive (for example Loctite 648). To tighten the front sight screw, apply a torque of 8.8 inch lbs (1 Nm).

#### WINDAGE

Windage adjustments are made by drifting the iron rear sight from side to side with a rear sight adjustment tool (accessory). To adjust, move the rear sight in the direction you wish the group to move on the target. For example: if the group should move to the right, move the rear sight to the right.



5.4.2 Fig. 1

EN

DE

FR

ES

—

# PDP PISTOLS

## 5 ADJUSTING THE PISTOL TO ITS USER

### 5.4.3 Replacing the Mount Base

A variety of reflex sight mount bases are available as an accessory item. They will accept Trijicon (02), Leupold (04) or Docter/Vortex (06) with an overall length of not more than 49 mm. The mount bases are marked accordingly.

To install the correct mount base field-strip the pistol as described in section 4.1.1. Remove both screws using a screwdriver (size T10, 5.4.3 Fig. 1) and remove the base from the slide.



5.4.3 Fig. 1



5.4.3 Fig. 2



#### NOTE:

Do not mix the two screws with screws that come with other sights. The screws to secure the mount bases are metric screws, size M3x6 (5.4.3 Fig. 2). The pre-applied blue thread locker is to secure the screws in place while shooting your pistol.

Place the new mount base on top of the slide. Keep pulling the mount base toward its front stop (toward muzzle end of the slide) while tightening the screws (5.4.3 Fig. 3).

Tighten both screws (apply a torque of approximately 2 Nm). Now install your after market sight following the instructions provided with it (5.4.3 Fig. 4).



5.4.3 Fig. 3



#### NOTE:

Make sure that the fastening screws are of the correct length to ensure that the accessory is firmly seated. Secure the screws with industrial adhesive (for example Loctite 648) against unintentional loosening. Currently available mounting plates can be found on our website.

Prior to shooting check that the accessory is firmly seated.

Operating the gun without cover plate or mount base may cause the extractor pin and the extractor to fly out.



5.4.3 Fig. 4

## 6 TECHNICAL SPECIFICATIONS

### 6 TECHNICAL SPECIFICATIONS PDP COMPACT

	PDP Compact		
Caliber	9mm x 19		
Magazine Capacity	15 rounds		
Model	4"	4.5"	5"
Barrel Length *	102	115	127
Overall Dimensions (L/W/H) *	184 / 34 / 135	197 / 34 / 135	210 / 34 / 135
Weight with empty magazine	685 g	700 g	735 g
Sight Radius	163	176	188
Width, rear sight / front sight	3,7 mm / 3,7 mm		
Muzzle Energy E3	500 J		
Bullet Weight	8 g		
Rifling, Twist Rate	Polygonal Rifling, 250 mm, right hand twist		
System of Operation	Short recoil operated, locked-breech		
Firing Action	Striker-fired		
Trigger Action	Performance Duty Trigger (PDT)		
Trigger Pull / Travel	25 N / 9 mm (identical for every round)		
Magazine Release	reversible		
Grip Size, adjustable	Grip Size S/M/L		
Reflex Sight Options (OR models)	49 mm, e.g. Docter/Vortex, Leupold, Trijicon		
Safeties	Trigger-, Striker-, Disconnect-Safety, Loaded Chamber Indicator		
Materials	Slide and barrel: Tenifer®-treated carbon steel Frame: High-strength polymer		

\* The barrel and the overall length of pistols with threaded barrel is 15 mm (0.6") longer than mentioned above. The threading on the barrel is 1/2"-28 UNEF.

Data based on average numbers. Actual numbers may vary.

Tenifer® is a registered trademark of Durferrit GmbH, Germany.

EN

DE

FR

ES

—

### 6 TECHNICAL SPECIFICATIONS PDP FULL SIZE

	PDP Full Size		
Caliber	9mm x 19		
Magazine Capacity	18 rounds		
Model	4"	4,5"	5"
Barrel Length *	102	115	127
Overall Dimensions (L/W/H) *	184 / 34 / 143	197 / 34 / 143	210 / 34 / 143
Weight with empty magazine	695 g	715 g	740 g
Sight Radius	163	176	188
Width, rear sight / front sight	3,7 mm / 3,7 mm		
Muzzle Energy E3	500 J		
Bullet Weight	8 g		
Rifling, Twist Rate	Polygonal Rifling, 250 mm, right hand twist		
System of Operation	Short recoil operated, locked-breech		
Firing Action	Striker-fired		
Trigger Action	Performance Duty Trigger (PDT)		
Trigger Pull / Travel	25 N / 9 mm (identical for every round)		
Magazine Release	reversible		
Grip Size, adjustable	Grip Size S/M/L		
Reflex Sight Options (OR models)	49 mm, e.g. Docter/Vortex, Leupold, Trijicon		
Safeties	Trigger-, Striker-, Disconnect-Safety, Loaded Chamber Indicator		
Materials	Slide and barrel: Tenifer®-treated carbon steel Frame: High-strength polymer		

\* The barrel and the overall length of pistols with threaded barrel is 15 mm (0.6") longer than mentioned above. The threading on the barrel is 1/2"-28 UNEF.

Data based on average numbers. Actual numbers may vary.

Tenifer® is a registered trademark of Durferrit GmbH, Germany.



BEDIENUNGSANLEITUNG

# PDP PISTOLS

EN

DE

FR

ES

IT



LESEN SIE DIE ANWEISUNGEN UND WARNUNGEN IN  
DIESER ANLEITUNG SORGFÄLTIG, BEVOR SIE DIESE  
SCHUSSWAFFE BENUTZEN.



## Hinweis:

Diese Bedienungsanleitung beschreibt die Bedienung der Pistole für zivile Anwender. Die Vorgaben für den behördlichen Einsatz der Pistole können von den Angaben in dieser Bedienungsanleitung abweichen.

In dieser Bedienungsanleitung wird von einer Lage der Pistole ausgegangen, die dem normalen Anschlag entspricht; d.h. mit horizontalem Lauf und mit nach unten weisendem Griff, wobei die Mündung nach vorne zeigt. Angaben, wie „oben“, „unten“, „rechts“, „links“ sowie „vorn“ und „hinten“ beziehen sich auf die Sicht eines die Pistole im Anschlag haltenden Schützen. Die Erklärungen beziehen sich auf die Bedienung durch Rechtshänder. Linkshänder verfahren bitte in der für sie entsprechenden Weise.

Bitte beachten Sie: Die Abbildungen in dieser Bedienungsanleitung sind zur Erläuterung und können sich von den tatsächlichen Waffen unterscheiden.



## INHALTSVERZEICHNIS

<b>1</b>	<b>Sicherheitshinweise</b>	<b>4</b>
<b>2</b>	<b>Produktbeschreibung</b>	<b>5</b>
2.1	Funktionsablauf	5
2.2	Munition	6
2.3	Bedien- und Funktionselemente	7
<b>3</b>	<b>Bedienung</b>	<b>10</b>
3.1	Überprüfung der Pistole	10
3.2	Laden	11
3.3	Schießen	12
3.4	Magazinwechsel	13
3.5	Entladen	13
3.6	Verhalten bei Versagern	14
<b>4</b>	<b>Demontage, Reinigen, Ölen und Pflege</b>	<b>15</b>
4.1	Hauptgruppen	15
4.2	Schlagbolzeneinheit	16
4.3	Auszieher	17
4.4	Magazin	19
4.5	Reinigen	21
4.6	Ölen	21
4.7	Vorbereitung zur Lagerung	22
<b>5</b>	<b>Anpassung der Pistole an den Bediener</b>	<b>23</b>
5.1	Magazinhalter	23
5.2	Griff	24
5.3	Riemenöse	24
5.4	Visierung	24
<b>6</b>	<b>Technische Daten</b>	<b>27</b>

### 1 SICHERHEITSHINWEISE

- Lesen Sie diese Bedienungsanleitung vor Benutzung der Pistole gründlich durch. Benutzen Sie die Pistole erst dann, wenn Sie die Anleitung verstanden haben.  
Jede Beschreibung von Pistolenteilen und alle Tätigkeiten sind im Allgemeinen nur einmal in dieser Bedienungsanleitung aufgeführt. Je nach Umfang wird deshalb ggf. auf bereits vorhandene Beschreibungen in anderen Kapiteln hingewiesen.
- Zur Durchführung der Sicherheitsüberprüfung und vor der Benutzung, bei Störungen und vor dem Reinigen ist zu prüfen, ob die Pistole entladen (Magazin aus der Pistole und Patronenlager frei), der Lauf frei von Fremdkörpern und das Magazin leer ist.
- Bewahren Sie die Pistole und Munition getrennt voneinander auf. Unbefugte (insbesondere Kinder) dürfen keinen Zugriff darauf erhalten.
- Gehen Sie auch mit der ungeladenen Pistole so um, als ob sie geladen wäre. Halten Sie die Pistole immer so, dass Sie sich und Andere nicht gefährden. Richten Sie die Pistole immer in eine sichere Richtung. Richten Sie die Pistole niemals auf Personen oder Ziele, die Sie nicht treffen möchten, unabhängig davon, ob die Pistole geladen ist oder nicht. Gehen Sie davon aus, dass auch die sicherste Pistole durch unsachgemäßen Umgang für Sie und Andere gefährlich werden kann.
- Beachten Sie: Keinen Finger am Abzug, außer zur gewollten Schussabgabe.  
Der Abzugsfinger ist grundsätzlich außen am Abzugsbügel anzulegen. Der Abzug darf nur betätigt werden, wenn die Pistole auf das Ziel gerichtet ist.
- Wenden Sie bei der Bedienung, der Überprüfung, beim Zerlegen, Reinigen und beim Zusammenbau nie Gewalt an. Unsachgemäße Handhabung kann die Funktion und die Sicherheit der Pistole beeinträchtigen. Zerlegen Sie die Pistole nur so weit, wie in dieser Anleitung beschrieben.
- Sicherheit und Funktion sind nur gewährleistet, solange sich Pistole und Munition in technisch einwandfreiem Zustand befinden.
- Beachten Sie, dass die Pistole nach Einwirkung von außen, z.B. Korrosion, Herunterfallen, usw., durch eine qualifizierte Fachkraft überprüft werden muss.
- Tragen Sie beim Schießen immer Gehörschutz und Schutzbrille. Machen Sie Personen, die sich in Ihrer Nähe aufhalten, auf das Tragen von Gehörschutz und Schutzbrille aufmerksam.
- Ihre Schusswaffe ist für Munition eines speziellen Kalibers ausgelegt. Die richtige Bezeichnung der zu Ihrer Pistole passenden Munition ist auf der Waffe angegeben. Gebrauchen Sie nur Munition, die den Vorgaben der Commission Internationale Permanente pour l'Epreuve des Armes à Feu portatives (C.I.P.) oder des Sporting Arms and Ammunition Manufacturers Institute (SAAMI) und dem Kaliber der Schusswaffe entspricht. Besonders bei Verwendung von wiedergeladener Munition ist darauf zu achten, dass der nach Norm zulässige Gasdruck nicht überschritten wird. Überhöhter Druck kann eine Schusswaffe beschädigen oder sie sogar sprengen. Munition, deren Geschossgeschwindigkeit und Gasdruck höher sind als die Werte, für welche die Schusswaffe ausgelegt ist, setzt die Schusswaffe zusätzlicher Belastung aus, verursacht übermäßigen Verschleiß und kann zu schwerwiegenden Beschädigungen an der Schusswaffe führen.

## 2 PRODUKTBESCHREIBUNG

- Wischen Sie vor dem Laden immer jegliches überschüssiges Fett und Öl ab, und stellen Sie sicher, dass der Lauf sauber und frei von Fremdkörpern ist.
- Ersetzen, bearbeiten, verändern oder verstellen Sie kein Teil an Ihrer Pistole über den in dieser Anleitung beschriebenen Umfang hinaus. Instandsetzungs- und Servicearbeiten sind durch WALTHER oder eine qualifizierte Werkstatt auszuführen.
- Unsachgemäße Veränderungen können die Sicherheit und Zuverlässigkeit der Pistole beeinträchtigen und zu Verletzungen oder zum Tode führen.

### HAFTUNGSAUSSCHLUSS

Beim Umgang mit Waffen ist stets besondere Vorsicht geboten. Es besteht stets die Gefahr, gegebenenfalls auch unbeabsichtigt, Leib und Leben von Personen oder Sachwerte zu beschädigen. WALTHER schließt jegliche Haftung für Schäden aus, die auf eine unsachgemäße oder gegen geltende gesetzliche Vorschriften verstoßende Verwendung der Pistole zurückzuführen sind. Dasselbe gilt für Schäden, die aus der Nichtbeachtung dieser Bedienungsanleitung, unbefugten Austausch von Einzelteilen oder sonstigen Eingriffen an der Pistole resultieren, die durch diese Bedienungsanleitung nicht ausdrücklich vorgesehen sind.

## 2 PRODUKTBESCHREIBUNG

### 2.1 Funktionsablauf

Das Verschlussystem der Pistole nutzt das Prinzip des verriegelten Rückstoßladers. Beim Zurückziehen des Abzugs wird das Schlagbolzenschloss ausgelöst. Der Schlagbolzen schlägt auf das Zündhütchen der Patrone und zündet die Treibladung. Das Geschoss wird durch den entstehenden Gasdruck aus dem Lauf getrieben. Gleichzeitig überträgt sich ein Impuls auf die mit dem Lauf formschlüssig verriegelte Verschlussgruppe. Nach einem kurzen gemeinsamen Rücklauf von Lauf und Verschluss wird der Lauf nach unten gesteuert und die Verriegelung gelöst. Der Lauf bleibt stehen, während der Verschluss gegen die Kraft der Schließfeder bis zum Anschlag zurückgleitet und die Hülse nach rechts auswirft. Angetrieben durch die Schließfeder führt der Verschluss während des dann folgenden Vorlaufs die oberste Patrone aus dem Magazin in das Patronenlager zu. Kurz vor Ende des Verschlussvorlaufs wird der abgekippte Lauf nach oben vorne gedrückt und im Auswurfenster des Verschlusses verriegelt. Der Schütze nimmt den Finger vom Abzug und die Pistole ist für den nächsten Schuss bereit.

EN

DE

FR

ES

### 2.2 Munition



## WARNUNG

Verwenden Sie nur die für Ihre Pistole passende Munition. Falsche Munition kann zu Funktionsstörungen, Zündversagern oder durch zu hohen Gasdruck zur Beschädigung oder Zerstörung Ihrer Pistole führen.

Auf der rechten Seite des Laufs ist die Bezeichnung der zu Ihrer Pistole passenden Munition angegeben (siehe 2.2 Abbildung 1).

Verwenden Sie nur Patronen, die dieser Munitionsbezeichnung entsprechen und deren Gasdruck den Vorgaben von C.I.P. oder SAAMI entspricht. Kontrollieren Sie die Munition vor Gebrauch. Verwenden Sie nur einwandfreie Munition. Pistole und Munition bilden ein System und müssen zueinander passen. Ihre Zuverlässigkeit hängt gegenseitig voneinander ab. Unterschiedliche Kombinationen aus Waffengewicht, Geschossgewicht und Geschossgeschwindigkeit wirken sich auf den gefühlten Rückstoß aus. Ein zu starker Rückstoß der Pistole kann sich für manche Schützen unangenehm anfühlen.



2.2 Abbildung 1

#### Beispiele:

- Waffengewicht: Bei geringerem Waffengewicht wird der Rückstoß als »kräftiger« empfunden.
- Geschossgewicht: Je schwerer das Geschoss, desto stärker der Rückstoß.
- Geschossgeschwindigkeit: Höhere Geschossgeschwindigkeit verstärkt den Rückstoß.

Um sich an einen stärkeren Rückstoß zu gewöhnen, können Sie folgendermaßen vorgehen:

- Halten Sie die Pistole beim Schießen im beidhändigen Anschlag.
- Beginnen Sie mit der für Ihre Pistole passenden Munition, mit geringem Geschossgewicht und niedriger Geschossgeschwindigkeit.
- Lassen Sie sich von Ihrem Fachhändler bezüglich schwächerer Munition, geringer Geschossgeschwindigkeit und leichtem Geschossgewicht für Ihre Pistole beraten.
- Passen Sie die Größe des Griffs Ihrer Pistole an Ihre Erfordernisse an.

## 2 PRODUKTBESCHREIBUNG

### 2.3 Bedien- und Funktionselemente



Thread Protector

- |    |                |    |                         |
|----|----------------|----|-------------------------|
| 1  | Verschluss     | 11 | Magazin                 |
| 2  | Korn           | 12 | Griff                   |
| 3  | Laufhalter     | 13 | Magazinhalter, umbaubar |
| 4  | Lauf           | 14 | Abzug                   |
| 5  | Fanghebelraste | 15 | Abzugsbügel             |
| 6  | Spannrillen    | 16 | Griffstück              |
| 7  | Fanghebel      | 17 | Zubehörschiene          |
| 8  | Visier         | 18 | Modellbezeichnung       |
| 9  | Griffücken     |    |                         |
| 10 | Fangriemenöse  |    |                         |

- EN
- DE
- FR
- ES
-

# PDP PISTOLS

## 2 PRODUKTBESCHREIBUNG

Abbildung zeigt Pistole mit geöffnetem Verschluss



- 19 Schließfederstange
- 20 Mündung
- 21 Seriennummer

- 22 Verschlusskappe
- 23 Abdeckplatte (OR)
- 24 Auswurffenster
- 25 Auszieher (Geladenanzeige)

### 2.3.1 Geladenanzeige

Der Auszieher dient als Ladezustandsanzeige. Eine Farbmarkierung ist sichtbar, wenn sich eine Patrone oder Patronenhülse im Patronenlager befindet (2.3.1 Abb. 1).



2.3.1 Abbildung 1



## ACHTUNG

Verlassen Sie sich bei der Sicherheitskontrolle nicht ausschließlich auf die Geladenanzeige. Die zuverlässigste Methode zur Sicherheitskontrolle ist der Blick in das Patronenlager. Dazu nehmen Sie das Magazin aus der Pistole, ziehen den Verschluss bis zum Anschlag zurück, arretieren ihn mit dem Verschlussfanghebel und blicken in das Patronenlager. Gehen Sie mit jeder Waffe so um, als ob sie geladen wäre. Eine Geladenanzeige kann zwar einen Hinweis darauf geben, ob sich eine Patrone im Patronenlager befindet oder nicht, jedoch können Faktoren wie Lichtverhältnisse, Verschmutzung der Pistole oder andere Einflüsse das zuverlässige Erkennen einer Patrone erschweren.

## 2 PRODUKTBESCHREIBUNG

### 2.3.2 Magazinhalter

Der Magazinhalter befindet sich seitlich am Griff.

#### Bedienung:

Die Finger befinden sich außerhalb des Abzugsbügels und berühren den Abzug nicht. Drücken Sie den Magazinhalter und entfernen Sie das Magazin (2.3.2 Abb. 1).



2.3.2 Abbildung 1

### 2.3.3 Fanghebel

#### Verschluss in geöffneter Stellung arretieren:

Die Finger befinden sich außerhalb des Abzugsbügels und berühren den Abzug nicht. Entfernen Sie das Magazin, dann greifen Sie den Verschluss von hinten an den Spannritzen und ziehen ihn kräftig bis zum Anschlag zurück. Falls sich eine Patrone im Patronenlager befindet, wird diese dabei aus dem Patronenlager ausgezogen und ausgeworfen.

Während Sie den Verschluss in der hintersten Stellung halten, schieben Sie den Fanghebel nach oben und lassen den Verschluss langsam vor, bis er vom Fanghebel gehalten wird (2.3.3 Abb. 1).



2.3.3 Abbildung 1

#### Fanghebel auslösen:

Drücken Sie den Fanghebel mit dem Daumen der Schießhand nach unten, bis der Verschluss nach vorne schnellt. Zur Erleichterung bei der Bedienung des Fanghebels mit dem Daumen kann der Verschluss zurückgezogen werden, während gleichzeitig der Fanghebel wie oben beschrieben betätigt wird.

### 2.3.4 Magazin

Anhand der Öffnungen im Magazingehäuse kann der Ladestand des Magazins erkannt werden (2.3.4 Abb. 1).



2.3.4 Abbildung 1

EN
DE
FR
ES
—

### 3 BEDIENUNG

#### 3.1 Überprüfung der Pistole

- Vor der Überprüfung Ihrer Pistole kontrollieren Sie, ob die Pistole entladen ist: Zeigen Sie mit der Mündung in eine sichere Richtung. Die Finger befinden sich außerhalb des Abzugsbügels und berühren den Abzug nicht. Drücken Sie den Magazinhalter und entfernen Sie das Magazin (3.1 Abb. 1).
- Greifen Sie den Verschluss von hinten an den Spannrillen (3.1 Abb. 2) und ziehen Sie ihn kräftig bis zum Anschlag zurück. Falls sich eine Patrone im Patronenlager befindet, wird diese dabei aus dem Patronenlager ausgezogen und ausgeworfen. Verdecken Sie nicht das Auswurffenster, da die Patrone sonst nicht korrekt ausgeworfen wird.
- Arretieren Sie den Verschluss in der geöffneten Stellung: Während Sie den Verschluss in der hintersten Stellung halten, schieben Sie den Fanghebel nach oben und lassen den Verschluss langsam vor, bis er vom Fanghebel gehalten wird (3.1 Abb. 3).
- Stellen Sie sicher, dass Patronenlager (3.1 Abb. 4) und Lauf frei, trocken und sauber sind.

Führen Sie diese Überprüfung stets durch, bevor Sie Ihre Pistole aus der Hand legen, reinigen, an eine andere Person übergeben, transportieren oder lagern.



3.1 Abbildung 1



3.1 Abbildung 2



3.1 Abbildung 3



3.1 Abbildung 4



### ACHTUNG

Verlassen Sie sich nicht ausschließlich auf die Technik. Tragen Sie durch umsichtigen Umgang mit Waffen zu Ihrer eigenen Sicherheit bei. Der sicherheitsbewusste Umgang mit Waffen liegt in Ihrer Verantwortung.



## 3 BEDIENUNG

### 3.2 Laden

#### 3.2.1 Magazin füllen

Anhand der Öffnungen im Magazingehäuse kann der Ladestand des Magazins erkannt werden.



#### Hinweis:

Verwenden Sie ausschließlich die für Ihre Pistole vorgesehenen Magazine. Andere Magazine können zu Funktionsstörungen oder Beschädigung von Pistole und Magazin führen.



3.2.1 Abbildung 1



### ACHTUNG

Versuchen Sie nicht, mehr Patronen zu laden, als auf dem Magazin angegeben. Dies könnte sonst zu Zuführstörungen führen. Wenden Sie keine Gewalt an, da dies eine Beschädigung des Magazins zur Folge haben könnte. Beschädigte oder verformte Magazine und Magazinlippen verursachen Funktionsstörungen und damit den Ausfall der Pistole.

Laden Sie das Magazin, indem Sie den vorderen Teil des Zubringers mit dem Patronenboden nach unten drücken und die Patrone unter die Magazinlippen schieben, bis der Patronenboden die hintere Magazinwand berührt. Wiederholen Sie diesen Vorgang, indem Sie mit dem Boden der jeweils nächsten Patrone und dem Daumen der zweiten Hand die oberste Patrone im Magazin nach unten drücken und die neue Patrone dann unter die Magazinlippen schieben (3.2.1 Abb. 2).

#### Zur Erleichterung kann die WALTHER-Ladehilfe eingesetzt werden:

Schieben Sie die Ladehilfe von oben auf das Magazin (3.2.1 Abb. 3), drücken Sie die Ladehilfe nach unten und führen Sie mit der zweiten Hand eine Patrone unter die Magazinlippen (3.2.1 Abb. 4). Heben Sie die Ladehilfe leicht an und schieben Sie die Patrone vollständig unter die Magazinlippen (3.2.1 Abb. 5).



3.2.1 Abbildung 2



3.2.1 Abbildung 3



3.2.1 Abbildung 4



3.2.1 Abbildung 5

### 3.2.2 Laden der Pistole

- Überprüfen Sie die Pistole wie in Kapitel 3.1 beschrieben.
- Halten Sie die Pistole mit der Mündung in eine sichere Richtung gerichtet. Der Finger liegt außerhalb des Abzugsbügels, berührt insbesondere den Abzug nicht. Führen Sie das Magazin in den Magazinschacht ein, bis es einrastet. Vergewissern Sie sich, ob das Magazin eingerastet ist, indem Sie das Magazin am Magazinboden nach unten ziehen. Das Magazin darf sich nicht lösen.
- Ziehen Sie den Verschluss zurück und lassen Sie ihn nach vorn schnellen.



### ACHTUNG

Führen Sie Patronen ausschließlich über das Magazin in das Patronenlager ein. Versuchen Sie nicht, eine Patrone einzeln durch das Auswurffenster in das Patronenlager einzuführen. Sie könnten sich oder andere dabei ernsthaft oder gar tödlich verletzen.



### WARNUNG

Die Pistole ist nun schussbereit. Ihre Pistole und das Magazin sind geladen und es wird ein Schuss ausgelöst, wenn der Abzug betätigt wird. Richten Sie die Mündung der Pistole unter allen Umständen in eine sichere Richtung und halten Sie Ihren Abzugsfinger und andere Objekte vom Abzug entfernt und außerhalb des Abzugsbügels. Geben Sie eine geladene Waffe nicht aus der Hand.

### 3.3 Schießen

- Richten Sie die Mündung in eine sichere Richtung und halten Sie Ihren Abzugsfinger vom Abzug fern und außerhalb des Abzugsbügels, bis Sie schießen möchten.
- Nutzen Sie die günstige Form des Griffs der Pistole, indem Sie ihn so hoch wie möglich greifen. Damit lässt sich die Pistole beim Schuss besser kontrollieren.
- Während Sie den Griff der Pistole kräftig halten, gehen Sie mit Ihrem Finger frontal auf den Abzug und ziehen ihn mit zunehmender Kraft durch, bis der Schuss bricht. Während der Schussabgabe fährt der Verschluss nach hinten und wirft die Patronenhülse aus. Anschließend fährt der Verschluss wieder nach vorn und führt dem Patronenlager die nächste Patrone aus dem Magazin zu.
- Nach dem Schuss nehmen Sie den Finger vom Abzug und halten ihn außerhalb des Abzugsbügels, bis Sie für den nächsten Schuss bereit sind. Diesen Ablauf können Sie bis zum letzten Schuss wiederholen.
- Nach dem letzten Schuss betätigt der Zubringer des Magazins den Fanghebel und der Verschluss wird in offener Stellung gefangen.

### 3 BEDIENUNG

#### **! ACHTUNG**

Tragen Sie beim Schießen Gehörschutz und Schutzbrille. Bei der Schussabgabe oder bei Betätigung des Verschlussfanghebels bewegt sich der Verschluss mit beträchtlicher Kraft und Geschwindigkeit in Längsrichtung. Halten Sie deshalb die Pistole so, dass sich kein Körperteil von Ihnen in der Bewegungsbahn des Verschlusses befindet.

#### 3.4 Magazinwechsel

Nach dem letzten Schuss betätigt der Zubringer des Magazins den Fanghebel und der Verschluss wird in geöffneten Stellung gefangen.

- Betätigen Sie den Magazinhalter und entfernen Sie das Magazin
- Laden Sie ein neues Magazin
- Ziehen Sie den Verschluss zurück und lassen Sie ihn nach vorn schnellen

#### **! WARNUNG**

Die Pistole ist wieder schussbereit. Richten Sie die Mündung der Pistole in eine sichere Richtung, halten Sie Ihren Abzugsfinger vom Abzug entfernt und außerhalb des Abzugsbügels, bis Sie für den nächsten Schuss bereit sind.

#### 3.5 Entladen

- Richten Sie die Mündung in eine sichere Richtung. Die Finger befinden sich außerhalb des Abzugsbügels und berühren den Abzug nicht. Drücken Sie den Magazinhalter und entfernen Sie das Magazin (3.5 Abb. 1).
- Greifen Sie den Verschluss von hinten an den Spannrielen (3.5 Abb. 2) und ziehen ihn kräftig bis zum Anschlag zurück. Falls sich eine Patrone im Patronenlager befindet, wird diese dabei ausgezogen und ausgeworfen.



3.5 Abbildung 1

- Verdecken Sie dabei nicht das Auswurffenster, da die Patrone sonst nicht zuverlässig ausgeworfen wird.
- Arretieren Sie den Verschluss in der geöffneten Stellung: Während Sie den Verschluss in der hintersten Stellung halten, schieben Sie den Fanghebel nach oben und lassen den Verschluss langsam vor, bis er vom Fanghebel gehalten wird (3.5 Abb. 3).



3.5 Abbildung 2



3.5 Abbildung 3

- Kontrollieren Sie das Patronenlager (3.5 Abb. 4). Das Patronenlager muss leer sein.  
Kontrollieren Sie den Magazinschacht. Der Magazinschacht muss leer sein.
- Zum Entladen des Magazins halten Sie das Magazin so, dass die Geschosse von Ihnen weg gerichtet sind. Schieben Sie die jeweils oberste Patrone nach vorn aus dem Magazin.



3.5 Abbildung 4



### WARNUNG

Immer wenn Sie den Verschluss schließen, während ein geladenes Magazin in der Pistole ist, wird eine Patrone in das Patronenlager zugeführt und die Pistole ist wieder schussbereit.

### 3.6 Verhalten bei Versagern

- Bei einem Versager warten Sie 10 Sekunden und halten dabei die Mündung in eine sichere Richtung.
- Entladen Sie die Pistole wie in Kapitel „3.5 Entladen“ beschrieben.
- Nun können Sie durch Sichtkontrolle das Patronenlager und den Lauf prüfen. Patronenlager und Lauf müssen frei sein.

## 4 DEMONTAGE, REINIGEN, ÖLEN UND PFLEGE

### 4 DEMONTAGE, REINIGEN, ÖLEN UND PFLEGE

#### **⚠ ACHTUNG**

Stellen Sie vor den Arbeiten sicher, dass Pistole und Magazin entladen sind.

#### 4.1 Hauptgruppen

#### **⚠ WARNUNG**

Für das Zerlegen der Pistole ist es erforderlich, den Abzug zu betätigen. Wenn die Pistole nicht korrekt entladen wurde und sich noch eine Patrone im Patronenlager befindet, wird sich beim Abziehen ein Schuss lösen und Leib und Leben des Bedieners oder anwesender Personen kann gefährdet werden, oder Sachschaden entstehen. Deshalb müssen Sie vor dem Betätigen des Abzugs Patronenlager und Magazinschacht prüfen. Patronenlager und Magazinschacht müssen leer sein.

#### 4.1.1 Demontage

- Entladen Sie die Pistole: Entfernen Sie das Magazin und arretieren Sie den Verschluss in geöffneter Stellung. Das Patronenlager und der Magazinschacht müssen leer sein.
- Schließen Sie den Verschluss:  
Ziehen Sie den Verschluss zurück und führen Sie ihn nach vorn.
- Richten Sie die Mündung in eine sichere Richtung und entspannen Sie den Schlagmechanismus, indem Sie den Abzug betätigen.
- Greifen Sie von oben den Laufhalter auf beiden Seiten und schieben Sie ihn nach unten (4.1.1 Abb. 1).
- Schieben Sie den Verschluss vorwärts vom Griffstück.
- Entfernen Sie die Schließfedereinheit gegen den Druck der Schließfeder (4.1.1 Abb. 2).
- Nehmen Sie den Lauf aus dem Verschluss.
- 4.1.1 Abb. 3 zeigt die in ihre Hauptgruppen zerlegte Pistole.



4.1.1 Abbildung 1



4.1.1 Abbildung 2



4.1.1 Abbildung 3

# PDP PISTOLS

## 4 DEMONTAGE, REINIGEN, ÖLEN UND PFLEGE

### 4.1.2 Montage

- Halten Sie den Verschluss mit der Unterseite nach oben gerichtet. Setzen Sie den Lauf ein, vgl. 4.1.2 Abb. 1.
- Setzen Sie die Schließfedereinheit ein: Setzen Sie die Schließfedereinheit mit dem schwarzen, kleinen Ende der Federführungsstange in Richtung Mündung gerichtet in das Federlager des Verschlusses und anschließend gegen den Druck der Schließfeder mit dem hinteren Ende in die Vertiefung am Lauf ein (4.1.2 Abb. 1).



4.1.2 Abbildung 1



4.1.2 Abbildung 2



#### Hinweis:

Eine leichte Krümmung der Schließfedereinheit in telemontiertem Zustand ist normal.

- Schieben Sie den montierten Verschluss von vorn zunächst auf die vorderen, dann auf die hinteren Schienen des Griffstücks (4.1.2 Abb. 2). Ziehen Sie den Verschluss bis zum Anschlag zurück und lassen Sie ihn dann nach vorn in die verriegelte Position gleiten.

### 4.2 Schlagbolzeneinheit

#### 4.2.1 Ausbau der Schlagbolzeneinheit

- Zerlegen Sie die Pistole in die Hauptgruppen (Kapitel 4.1.1).
- Stützen Sie den Verschluss mit dem Mündungsende auf einer Unterlage ab. Halten Sie den Verschluss an den hinteren Spannrielen. Drücken Sie den Stift in der quadratischen Öffnung rechts oben in der Verschlusskappe mit einem 2 mm Splintentreiber bis zum Anschlag hinein (4.2.1 Abb. 1) und schieben Sie die Verschlusskappe etwas nach unten. Ziehen Sie die Verschlusskappe nach unten aus dem Verschluss (4.2.1 Abb. 2).
- Ziehen Sie die Schlagbolzeneinheit aus dem Verschluss (4.2.1 Abb. 3).



4.2.1 Abbildung 1



4.2.1 Abbildung 2



4.2.1 Abbildung 3

## 4 DEMONTAGE, REINIGEN, ÖLEN UND PFLEGE

### 4.2.2 Einbau der Schlagbolzeneinheit

- Schlagbolzeneinheit einsetzen (4.2.2 Abb. 1)
- Drücken Sie das hintere Ende der Schlagbolzeneinheit mit der Verschlusskappe nach innen und schieben Sie die Verschlusskappe von unten in ihre Führung im Verschluss, bis sie einrastet (4.2.2 Abb. 2).



4.2.2 Abbildung 1



4.2.2 Abbildung 2

### 4.3 Auszieher



**Hinweis:** Die Schlagbolzensicherung kann nur dann ausgebaut werden, wenn vorher der Schlagbolzen aus dem Verschluss entfernt wurde. Folgen Sie der Beschreibung in Kapitel 4.2, um den Schlagbolzen auszubauen.  
Schießen ohne Abdeckplatte bzw. ohne Montagebasis führt ggf. zu Verlust des Auszieherstifts und des Ausziehers.

#### 4.3.1 Ausbau des Ausziehers



**Vorsicht:**

Tragen Sie eine Schutzbrille. Auszieherstift und Schlagbolzensicherung stehen unter Federdruck. Beim Ausbau des Ausziehers können diese Teile herausgeschleudert werden.

#### PDP OR Modelle

- Entfernen Sie die Abdeckplatte oder das Reflexvisier und die Adapterplatte; siehe dazu Abschnitt 5.4.3.
- Halten Sie den Verschluss mit der Visierung nach unten. Schieben Sie den Stift zum Auszieher mit einem 2 mm Durchtreiber heraus (4.3.1 Abb. 1).
- Während Sie die Schlagbolzensicherung mit einem Finger abdecken, entnehmen Sie den Auszieher. Entnehmen Sie nun die Schlagbolzensicherung aus dem Verschluss (4.3.1 Abb. 3).
- Entfernen Sie nicht die Druckfeder zum Auszieher aus dem Verschlussstück. Ein sicherer Sitz dieser Druckfeder ist durch eine erweiterte Endwindung gegeben.



4.3.1 Abbildung 1

# PDP PISTOLS

## 4 DEMONTAGE, REINIGEN, ÖLEN UND PFLEGE

### PDP mit offener Visierung

- Legen Sie das Verschlussstück mit der Visierung nach unten und der Mündung nach links vor sich.
- Drücken Sie mit einem 2 mm Splintentreiber den Auszieherstift gegen die Federkraft in den Verschluss (4.3.1 Abb. 2), bis der Auszieher herauspringt. Legen Sie den Splintentreiber ab.
- Während Sie die Schlagbolzensicherung und den Auszieherstift mit einem Finger abdecken, entnehmen Sie den Auszieher. Entnehmen Sie nun die Schlagbolzensicherung und den Auszieher aus dem Verschluss (4.3.1 Abb. 3).
- Entfernen Sie nicht die Druckfeder zum Auszieher aus dem Verschlussstück. Ein sicherer Sitz dieser Druckfeder ist durch eine erweiterte Endwindung gegeben.



4.3.1 Abbildung 2



4.3.1 Abbildung 3

### 4.3.2 Einbau des Ausziehers

#### PDP mit offener Visierung

- Legen Sie den Verschluss mit der Visierung nach unten und mit der Mündung nach links vor sich.
- Setzen Sie den Auszieherstift mit der Feder voraus ein.
- Sichern Sie die Druckfeder in der Bohrung der Schlagbolzensicherung gegen Herausfallen, indem Sie etwas Waffenöl (kein Fett!) auf die Feder auftragen, bevor Sie die Druckfeder in die Bohrung der Schlagbolzensicherung stecken. Setzen Sie die Schlagbolzensicherung mit ihrer Feder in das Verschlussstück ein. Dabei muss die Druckfeder der Sicherung in die dafür vorgesehene Vertiefung im Verschluss gelangen. Bei korrekter Positionierung steht die Sicherung knapp oberhalb der Patronengleitfläche (4.3.2 Abb. 1).
- Legen Sie das lange Ende des Ausziehers hinten am Radius des Auszieherschlitzes (4.3.2 Abb. 2) im Verschluss an und halten Sie den Auszieher mit dem Daumen Ihrer anderen Hand gegen den Auszieherstift im Verschluss. Drücken Sie den Auszieherstift mit einem 2 mm Splintentreiber nach innen, während gleichzeitig der Auszieher zur Mitte des Verschlusses geschoben wird. Das Auge des Ausziehers sperrt nun den Auszieherstift, und der Splintentreiber kann entfernt werden.



4.3.1 Abbildung 4



4.3.2 Abbildung 1



4.3.2 Abbildung 2



## 4 DEMONTAGE, REINIGEN, ÖLEN UND PFLEGE

- Drücken Sie die Schlagbolzensicherung nach innen, bis sie mit der Oberfläche des Verschlusses fluchtet. Gleichzeitig drücken Sie den Auszieher mit den Daumen hinein, bis der Auszieherstift in die Bohrung am Auszieher einrastet.
- Bauen Sie den Schlagbolzen ein, wie in Kapitel 4.2.2 beschrieben.

### PDP OR Modelle

- Legen sie den Verschluss mit der Visierung nach unten und mit der Mündung nach links vor sich.
- Sichern Sie die Druckfeder in der Bohrung der Schlagbolzensicherung gegen Herausfallen, indem Sie etwas Waffenöl (kein Fett!) auf die Feder auftragen, bevor Sie die Druckfeder in die Bohrung der Schlagbolzensicherung stecken. Setzen Sie die Schlagbolzensicherung mit ihrer Feder in das Verschlussstück ein. Dabei muss die Druckfeder der Sicherung in die dafür vorgesehene Vertiefung im Verschluss gelangen. Bei korrekter Positionierung steht die Sicherung minimal unterhalb der Patronengleitfläche (4.3.2 Abb. 1).
- Legen Sie das lange Ende des Ausziehers hinten am Radius des Auszieherschlitzes im Verschluss an und drücken Sie den Auszieher mit dem Daumen Ihrer anderen Hand leicht gegen den Verschluss (4.3.2 Abb. 2).
- Drücken Sie die Schlagbolzensicherung nach innen, bis sie mit der Oberfläche des Verschlusses fluchtet, während Sie den Auszieherstift von oben einsetzen. Drücken Sie dabei Auszieher mit den Daumen hinein und achten Sie auf eine fluchtende Ausrichtung der Bohrungen beim einsetzen des Stifts.
- Installieren Sie die Abdeckplatte oder das Reflexvisier und die Adapterplatte gemäß Abschnitt 5.4.3.

### 4.4 Magazin

#### 4.4.1 Zerlegen



Die Magazinfeder steht unter Druck. Beim Zerlegen des Magazins können Teile herausgeschleudert werden. Seien Sie vorsichtig beim Zerlegen des Magazins. Halten Sie den Bodenhalter, während Sie den Magazinboden abnehmen und entnehmen Sie den Bodenhalter inklusive Magazinfeder vorsichtig aus dem Magazingehäuse.

# PDP PISTOLS

## 4 DEMONTAGE, REINIGEN, ÖLEN UND PFLEGE

1. Drücken Sie den Bodenhalter mit einem 4 mm Splintentreiber durch die Bohrung im Magazinboden nach innen in das Magazingehäuse (4.4.1 Abb. 1).

+2 Magazin:

Schieben Sie den Magazinboden komplett nach hinten, bis zu seinem Anschlag am Magazingehäuse. Führen Sie die stumpfe Klinge eines Schraubendrehers in die Öffnung des Bodenhalters auf der Rückseite des Magazins ein. Schieben Sie den Bodenhalter in Richtung Magazinlippen, bis der Bodenhalter herauspringt (4.4.1 Abb. 2).

2. Schieben Sie den Boden nach vorn und nehmen Sie ihn vom Magazingehäuse ab, während Sie den Bodenhalter gegen den Druck der Magazinfeder halten.
3. Entnehmen Sie Bodenhalter und Magazinfeder.
4. Schütteln Sie den Zubringer aus dem Magazingehäuse.

### 4.4.2 Zusammenbau

1. Führen Sie zunächst den Zubringer und dann die Magazinfeder mit Bodenhalter in das Magazingehäuse ein. Achten Sie auf die richtige Ausrichtung der Teile. Die Teile lassen sich ohne Gewaltanwendung einbauen (4.4.2 Abb. 1 und 2).

2. Während Sie den Bodenhalter in das Magazingehäuse drücken, schieben Sie den Magazinboden von vorne auf, bis er hörbar einrastet.

3. +2 Magazin:

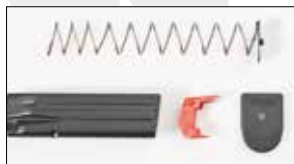
4. Legen Sie das hintere Ende des Bodenhalters von außen gegen die Rückwand des Magazins an, während Sie den Bodenhalter in das Magazin gedrückt halten. Schieben Sie den Magazinboden von vorne bis zum Anschlag auf. Drücken Sie das hintere Ende des Bodenhalters in das Magazin, damit der Bodenhalter einrastet.



4.4.1 Abbildung 1



4.4.1 Abbildung 2



4.4.2 Abbildung 1



4.4.2 Abbildung 2

## 4 DEMONTAGE, REINIGEN, ÖLEN UND PFLEGE

### 4.5 Reinigen



#### **ACHTUNG**

Stellen Sie vor dem Reinigen sicher, dass Pistole und Magazin entladen sind.

Reinigen Sie die fabrikneue Pistole vor dem ersten Schießen. Die Pistole wurde entweder mit Konservierungsmittel oder Öl behandelt, um sie vor Korrosion zu schützen. Vor dem ersten Gebrauch der neuen Pistole entfernen Sie überschüssiges Öl aus Lauf und Patronenlager, sowie von den außenliegenden Flächen.

Ihre Pistole ist ein Präzisionsinstrument. Pflegen Sie die Pistole regelmäßig, um eine zuverlässige Funktion zu gewährleisten.

Nach jedem Einsatz der Pistole oder nachdem sie extremen Witterungsbedingungen ausgesetzt war, sollte sie gereinigt werden.

Zerlegen Sie die Pistole in die Hauptgruppen (siehe Kap. 4.1).

Reinigen Sie den Lauf mit Reinigungsbürste und Laufreiniger, vom Patronenlager her beginnend. Entfernen Sie Blei und Rückstände mit einer Messingbürste aus dem Lauf. Lauf und Patronenlager müssen sauber sein. Säubern Sie die Außenflächen des Laufs mit Lappen und Reinigungsstäbchen. Mit einer kleinen Bürste und ggf. Waffenöl entfernen Sie Rückstände an Griffstück, Lauf, Verschluss, Auszieher, Stoßboden und anderen verschmutzten Stellen. Nach dem Reinigen ölen Sie außenliegende Metalloberflächen dünn ein.

Falls die Pistole in kalter Umgebung benutzt oder gelagert werden soll, verwenden Sie ein für den Einsatz bei niedrigen Temperaturen empfohlenes Waffenöl.

### 4.6 Ölen

Nach dem Reinigen der Pistole sollte ein dünner Ölfilm auf die Außenflächen der Metallteile und die Funktionsteile aufgetragen werden (4.6 Abb. 1). Verwenden Sie ausschließlich harz- und säurefreies Waffenöl.

Achten Sie darauf, nicht zu kräftig zu ölen. Zu viel Öl wurde aufgetragen, wenn Öltropfen zu sehen sind oder Öl aus der Pistole rinnt. Durch zu viel Öl sammelt sich Schmutz und Schmauch in der Pistole an. Dies beeinträchtigt die Funktion der Pistole. Ölen Sie nicht die Schlagbolzenbohrung.



#### **WARNUNG**

Halten Sie sich an die Bedienungsanleitung der verwendeten Reinigungsmittel. Manche Reinigungsmittel können Ihrer Pistole schaden. Vermeiden Sie lange Einwirkzeiten, zu langes Reinigen im Ultraschallbad und Ultraschallbad-Temperaturen über 50° C. Verwenden Sie ausschließlich für die Waffen-pflege empfohlene, harz- und säurefreie Reinigungsmittel und Waffenöle. Ammoniakhaltige Lösungsmittel und alkalische Lösungsmittel dürfen nicht verwendet werden.

# PDP PISTOLS

## 4 DEMONTAGE, REINIGEN, ÖLEN UND PFLEGE

- **Lauf:**

Nach dem Reinigen der Pistole ölen Sie die Laufoberflächen und die Kontaktfläche zwischen Lauf und Griffstück mit einem öligen Tuch (A, B).

- **Griffstück:**

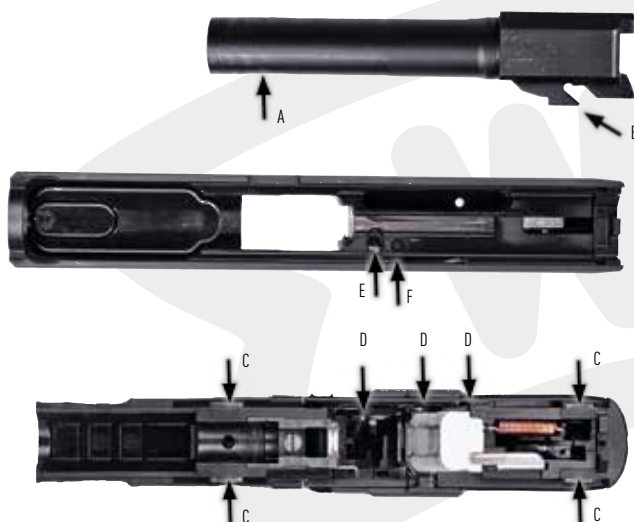
Ölen Sie die Verschlussführungen (C) und die Funktionsflächen der Abzugsstange (D) mit jeweils einem Tropfen Öl.

- **Verschluss:**

Ölen Sie die Schlagbolzensicherung (E) und die Steuerkurve (F) mit jeweils einem Tropfen Öl.

- **Magazin:**

Tragen Sie an der Außenseite des Magazingehäuses einen dünnen Ölfilm auf.



4.6 Abbildung 1

### 4.7 Vorbereitung zur Lagerung

Bitte beachten Sie die waffenrechtlichen Bestimmungen hinsichtlich der Aufbewahrung von Schusswaffen und Munition Ihres Landes.

Bewahren Sie die Pistole nicht in einem Material auf, welches Feuchtigkeit anzieht oder hält (z.B. Leder oder dicke Lappen). Falls die Pistole über einen längeren Zeitraum eingelagert werden soll, schützen Sie Lauf, Patronenlager und die innenliegenden Teile mit Waffenöl oder einem für Waffen vorgesehenen Konservierungsmittel. Außenliegende Teile wie Verschluss, Lauf und Magazin sollten mit Korrosionsschutz behandelt werden.

Reinigen Sie die Pistole, bevor Sie die Pistole das nächste Mal verwenden. Achten Sie bei jedem Reinigen auch darauf, ob Sie Abnutzungen erkennen. Bei ungewöhnlichen Abnutzungserscheinungen lassen Sie die Pistole von einem qualifizierten Büchsenmacher oder durch WALTHER überprüfen.

# 5 ANPASSUNG DER PISTOLE AN DEN BEDIENER



## 5 ANPASSUNG DER PISTOLE AN DEN BEDIENER

### 5.1 Magazinhalter

Der Magazinhalter ist von linksseitiger Bedienung auf rechtsseitige Bedienung umbaubar. Für den Umbau ist ein Stift mit 1 mm Durchmesser und ein kleiner Schraubendreher (ca. 2,5 mm) erforderlich.

1. Halten Sie den Magazinhalter gedrückt. Dabei tritt dessen gegenüberliegendes Ende aus dem Griff hervor und gibt eine kleine Bohrung auf seiner Rückseite frei. Führen Sie einem 1 mm-Stift bis zum Anschlag in die Bohrung ein (5.1 Abb. 1).
2. Drücken Sie den Stift gegen den Anschlag in die Bohrung. Dadurch wird die Schnapperverbindung der Kappe am Magazinhalter gelöst (zum besseren Verständnis sind in 5.1 Abb. 2 die einzelnen Teile abgebildet).
3. Heben Sie die Kappe an und entfernen Sie diese. Falls sich die Kappe nicht entfernen lässt, versuchen Sie die Kappe mit dem Schraubendreher anzuheben, während gleichzeitig der Stift in die Bohrung gedrückt wird (5.1 Abb. 3).
4. Entnehmen Sie den Magazinhalter (5.1 Abb. 4) und die Druckfeder an der gegenüberliegenden Seite.
5. Setzen Sie die Druckfeder auf jener Seite ein, von welcher aus der Magazinhalter bedienbar sein soll (5.1 Abb. 5).
6. Führen Sie den Magazinhalter von der gleichen Seite aus ein, wie vorher die Druckfeder (5.1 Abb. 6).
7. Halten Sie den Magazinhalter gedrückt, während Sie die Kappe von gegenüber einsetzen. Drücken Sie die Kappe in den Magazinhalter, bis der Schnapper hörbar einrastet (5.1 Abb. 7 und 8).



5.1. Abbildung 1



5.1. Abbildung 2



5.1. Abbildung 3



5.1. Abbildung 4



5.1. Abbildung 5



5.1. Abbildung 6



5.1. Abbildung 7



5.1. Abbildung 8

# PDP PISTOLS

## 5 ANPASSUNG DER PISTOLE AN DEN BEDIENER

### 5.2 Griff

Um den Griff der Pistole optimal an die Handgröße anpassen zu können, besteht die Möglichkeit unterschiedlich große Griffrückens zu montieren. Dazu wird der Stift im unteren Teil des Griffrückens mit einem 4 mm Splintentreiber nach links oder rechts entfernt und nach Einbau des gewünschten Griffrückens wieder montiert (5.2 Abb. 1).

Bei der Pistole besteht die Wahl zwischen den Größen Small, Medium und Large.



5.2 Abbildung 1

### 5.3 Riemenöse

Bei der Pistole bildet der zur Befestigung des Griffrückens verwendete Stift, zusammen mit einer Aussparung im Griff Rücken, eine Riemenöse zur Befestigung einer Fangschnur. Zur Montage wird der Stift im unteren Teil des Griffrückens mit einem 4 mm Splintentreiber nach links oder rechts entfernt, die Fangschnur oder ein Adapterstück eingelegt und anschließend der Stift wieder montiert.

### 5.4 Visierung

Visier und Korn sind auswechselbar. Die Treffpunktlage ist seiten- und höhenverstellbar.



## VORSICHT

Vor der Vornahme von Änderungen ist sicherzustellen, dass Pistole und Magazin entladen sind.

Pistole wie in Kapitel 4.1.1 beschrieben demontieren.

### 5.4.1 Polymer-Visierung

#### KORN

Die Kornschraube von der Unterseite des Kornes her entfernen. Das Korn nach oben herausdrücken. Die Montage erfolgt in umgekehrter Reihenfolge. Die Kornschraube bis zur Bündigkeit eindrehen (5.4.1 Abb. 1).



5.4.1 Abbildung 1

#### VISIER

Bei Hochschuss die hintere Schraube im Uhrzeigersinn, bei Tiefschuss gegen den Uhrzeigersinn drehen. Durch Verdrehen um einen Klick verschiebt sich die Trefferlage bei einem Abstand von 25 m um ca. 2 cm.



5.4.1 Abbildung 2

Bei Linksschuss die vordere Schraube des Visiers im Uhrzeigersinn, bei Rechtsschuss gegen den Uhrzeigersinn drehen. Durch Verdrehen um einen Klick verschiebt sich die Trefferlage bei einem Abstand von 25 m um ca. 1 cm (5.4.1 Abb. 2).

### 5.4.2 Stahl-Visierung

#### HÖHENEINSTELLUNG

Die Kornschaube herausdrehen und das Korn nach oben herausdrücken. Die Montage erfolgt in umgekehrter Reihenfolge (5.4.2 Abb. 1). Darauf achten, dass die Schraube und das Gewinde im Inneren des Kornes frei von Öl oder Fett sind.

Das Gewinde der Kornschaube sollte mit einem Industriekleber (z. B. Loctite 648) gesichert werden. Zum Anziehen der Kornschaube ein Drehmoment von 1 Nm verwenden.



5.4.2 Abbildung 1

#### SEITENEINSTELLUNG

Zum seitlichen Einstellen wird das Visier mit dem Visiertreiber (Sonderzubehör) zu einer Seite hin verschoben.

Zum Einstellen das Visiers in die Richtung verschieben, in die die Treffer verlagert werden sollen. Sollen die Treffer zum Beispiel nach rechts verschoben werden, das Visier nach rechts verschieben.

EN

DE

FR

ES

### 5.4.3 Montageplatte ersetzen

Montageplatten für diverse Reflexvisiere sind als Sonderzubehör erhältlich. Damit lassen sich Visiere der Marken Trijicon (02), Leupold (04) bzw. Docter und Vortex (06) mit maximal 49 mm Gesamtlänge montieren. Die Montageplatten sind entsprechend beschriftet.

Für die Montage der passenden Montageplatte, die Pistole wie in Kapitel 4.1.1 beschrieben demontieren.

Beide Schrauben mit Schraubendreher (T10, 5.4.3 Abb. 1) lösen und die Platte vom Verschluss abnehmen.



5.4.3 Abbildung 1



5.4.3 Abbildung 2



#### Hinweis:

Vertauschen Sie die Schrauben nicht mit Schrauben, die einem anderen Visier beiliegen. Die Schrauben besitzen ein metrisches Gewinde M3x6 (5.4.3 Abb. 2). Das Gewinde dieser Schrauben ist mit einer blauen Schraubensicherung versehen.

Die neue Montagebasis auf den Verschluss auflegen. Während des Anziehens der Schrauben (5.4.3 Abb. 3) die Montageplatte in Richtung des vorderen Anschlags (zum Mündungsende des Verschlusses hin) ziehen.

Beide Schrauben anziehen (Drehmoment von ca. 2 Nm verwenden). Das Nachrüstvisier kann nun gemäß der zugehörigen Anleitung montiert werden (5.4.3 Abb. 4).



5.4.3 Abbildung 3



#### Hinweis:

Für festen Sitz des Zubehörs auf passende Länge der Befestigungsschrauben achten. Die Schrauben mit Industriegleber (z.B. Loctite 648) gegen unbeabsichtigtes Lösen sichern. Aktuell verfügbare Montageplatten finden sich auf unserer Website.

Vor dem Schießen auf festen Sitz des Zubehörs achten. Schießen ohne Abdeckplatte bzw. ohne Montagebasis führt ggf. zu Verlust des Auszieherstifts und des Ausziehers.



5.4.3 Abbildung 4



## 6 TECHNISCHE DATEN

### 6 TECHNISCHE DATEN PDP COMPACT

	PDP Compact		
Kaliber	9mm x 19		
Magazinkapazität	15 Patronen		
Modell	4"	4.5"	5"
Lauflänge [mm] *	102	115	127
Maße (L/B/H) [mm] *	184 / 34 / 135	197 / 34 / 135	210 / 34 / 135
Gewicht, inkl. leerem Magazin	685 g	700 g	735 g
Länge der Visierlinie	163	176	188
Breite, Kimme / Korn	3,7 mm / 3,7 mm		
Geschossenergie E <sub>3</sub>	500 J		
Geschossgewicht	8 g		
Laufprofil, Dralllänge	Polygon, 250 mm, Rechtsdrall		
Verriegelungsart	Browningssystem ohne Zwischenglied		
Schlossart	Schlagbolzenschloss		
Abzugsystem	Performance Duty Trigger (PDT)		
Abzugkraft / Abzugweg	25 N / 9 mm (bei jedem Schuss gleich)		
Magazinhalter	umbaubar		
Griffgröße, anpassbar	Griffücken S/M/L		
Reflexvisier-Optionen (OR-Modelle)	49 mm, z. B. Docter/Vortex, Leupold, Trijicon		
Sicherungen	Abzugssicherung, Schlagbolzensicherung, Unterbrecher, Geladenanzeige		
Material	Verschluss-Stück und Lauf: Tenifer® -behandelter, hochfester Vergütungsstahl. Griffstück: Faserverstärktes Polyamid		

\* Lauf- und Gesamtlänge der Waffe vergrößern sich bei Varianten mit Mündungsgewinde um 15 mm (0,6"), Mündungsgewinde 1/2"-28 UNEF.

Die Angaben sind Mittelwerte. Tatsächliche Werte können abweichen.

Tenifer® is a registered trademark of Durferrit GmbH, Germany.

### 6 TECHNISCHE DATEN PDP FULL SIZE

	PDP Full Size		
Kaliber	9mm x 19		
Magazinkapazität	18 Patronen		
Modell	4"	4,5"	5"
Lauflänge [mm] *	102	115	127
Maße (L/B/H) [mm] *	184 / 34 / 143	197 / 34 / 143	210 / 34 / 143
Gewicht, inkl. leerem Magazin	695 g	715 g	740 g
Länge der Visierlinie	163	176	188
Breite, Kimme / Korn	3,7 mm / 3,7 mm		
Geschossenergie E <sub>3</sub>	500 J		
Geschossgewicht	8 g		
Laufprofil, Dralllänge	Polygon, 250 mm, Rechtsdrall		
Verriegelungsart	Browningsystem ohne Zwischenglied		
Schlossart	Schlagbolzenschloss		
Abzugsystem	Performance Duty Trigger (PDT)		
Abzugkraft / Abzugweg	25 N / 9 mm (bei jedem Schuss gleich)		
Magazinhalter	umbaubar		
Griffgröße, anpassbar	Griff Rücken S/M/L		
Reflexvisier-Optionen (OR-Modelle)	49 mm, z. B. Docter/Vortex, Leupold, Trijicon		
Sicherungen	Abzugssicherung, Schlagbolzensicherung, Unterbrecher, Geladenanzeige		
Material	Verschluss-Stück und Lauf: Tenifer®-behandelter, hochfester Vergütungsstahl. Griffstück: Faserverstärktes Polyamid		

\* Lauf- und Gesamtlänge der Waffe vergrößern sich bei Varianten mit Mündungsgewinde um 15 mm (0,6"), Mündungsgewinde 1/2"-28 UNEF.

Die Angaben sind Mittelwerte. Tatsächliche Werte können abweichen.

Tenifer® is a registered trademark of Durferrit GmbH, Germany.



MODE D'EMPLOI

# PDP PISTOLS

EN

DE

FR

ES

IT



VEUILLEZ LIRE ATTENTIVEMENT LES CONSIGNES ET  
AVERTISSEMENTS FIGURANT DANS LE PRÉSENT MODE  
D'EMPLOI AVANT D'UTILISER CETTE ARME À FEU.



**Remarque :**

Ce mode d'emploi se réfère à l'utilisation du pistolet par des civils. Les prescriptions relatives à l'utilisation en service / professionnelle du pistolet peuvent être différentes des indications figurant dans le présent mode d'emploi.

Dans ce mode d'emploi, la position considérée du pistolet est celle correspondant à la position de tir normale, c'est-à-dire le canon à l'horizontale, la bouche orientée vers l'avant, et la poignée dirigée vers le bas. Les indications telles que « en haut », « en bas », « à droite », « à gauche » ainsi que « à l'arrière » et « à l'avant » se réfèrent au point de vue du tireur tenant l'arme dans une position normale de tir.

Les explications données se basent sur l'utilisation par des droitiers. Les gauchers sont priés d'adapter de manière adéquate leur utilisation avec la main gauche.

Attention : les figures présentées dans ce mode d'emploi sont destinées à expliquer les propos et peuvent différer des armes réelles.

## TABLE DES MATIÈRES

<b>1 Consignes de sécurité</b>	<b>4</b>
<b>2 Description du produit</b>	<b>5</b>
2.1 Mode opératoire	5
2.2 Munitions	6
2.3 Éléments fonctionnels	7
<b>3 Utilisation</b>	<b>10</b>
3.1 Contrôle du pistolet	10
3.2 Chargement	11
3.3 Tir avec	12
3.4 Changement de chargeur	13
3.5 Déchargement	13
3.6 Consignes en cas de dysfonctionnement	14
<b>4 Démontage, nettoyage, graissage et entretien</b>	<b>15</b>
4.1 Éléments principaux	15
4.2 Bloc percuteur	16
4.3 Extracteur	17
4.4 Chargeur	19
4.5 Nettoyage	21
4.6 Graissage	21
4.7 Préparation au rangement / stockage	22
<b>5 Adaptation du pistolet à l'utilisateur</b>	<b>23</b>
5.1 Arrêteur de chargeur	23
5.2 Poignée	24
5.3 Œillet pour dragonne	24
5.4 Dispositif de visée	24
<b>6 Caractéristiques techniques</b>	<b>27</b>

### 1 CONSIGNES DE SÉCURITÉ

- Lisez attentivement et entièrement le présent mode d'emploi avant d'utiliser le pistolet. Assurez-vous d'avoir parfaitement compris le mode d'emploi avant d'utiliser le pistolet. Chacune des descriptions relatives aux parties du pistolet et chaque procédé ne sont généralement présentés qu'une seule fois dans le présent mode d'emploi. Pour cette raison, certaines parties contiennent le cas échéant des renvois vers des explications déjà disponibles dans d'autres chapitres.
- Il est impératif de vérifier que le pistolet est déchargé (chargeur retiré du pistolet et chambre vide), que le canon est exempt de tout corps étranger et le chargeur vide avant de réaliser le contrôle de sécurité, avant toute utilisation, en cas de dysfonctionnement et avant le nettoyage.
- Rangez le pistolet et les munitions séparément. Les personnes non autorisées (en particulier les enfants) ne doivent pas y avoir accès.
- Maniez le pistolet non chargé comme s'il était chargé. Tenez toujours le pistolet de sorte à ne mettre en danger ni vous-même ni d'autres personnes. Pointez toujours le pistolet dans une direction sûre ! Ne pointez jamais le pistolet en direction de personnes ou d'objectifs sur lesquels vous ne voulez pas tirer, que le pistolet soit chargé ou non. Ne jamais oublier que même l'arme la plus sûre peut devenir dangereuse pour vous et d'autres personnes, si elle n'est pas maniée correctement.
- À observer constamment : ne laissez jamais le doigt sur la détente, sauf pour tirer volontairement. Le doigt actionnant la détente doit de manière générale se trouver à l'extérieur du pontet. La détente ne doit être actionnée qu'une fois que le pistolet est pointé vers la cible.
- Ne faites jamais usage de la force lors que vous utilisez, contrôlez, démontez, nettoyez ou remontez le pistolet. Un maniement incorrect peut nuire au fonctionnement et à la sécurité du pistolet. Ne démontez pas davantage le pistolet que ce qui est indiqué dans le présent mode d'emploi.
- La sécurité n'est garantie que tant que le pistolet et les munitions se trouvent en parfait état technique.
- Si le pistolet a subi des influences extérieures, telles que corrosion, chute, etc., il doit être impérativement examiné par un armurier qualifié.
- Lors des séances de tir, veillez à porter une protection auditive et des lunettes de tir. Signalez aux personnes se trouvant à proximité qu'elles doivent porter un système de protection auditive et des lunettes de tir.
- Votre arme est conçue pour fonctionner avec des munitions d'un calibre déterminé. La bonne désignation des munitions adaptées à votre pistolet est indiquée sur l'arme. N'utilisez que des munitions conformes aux prescriptions de la Commission Internationale Permanente pour l'Epreuve des Armes à Feu portatives (C.I.P.) ou du SAAMI (Sporting Arms and Ammunition Manufacturers' Institute) et au calibre de votre arme à feu. Il est impératif de veiller, en particulier lors de l'utilisation de munitions rechargées, à ce que la pression de gaz ne soit pas supérieure à celle autorisée par la norme. Une pression trop importante peut endommager l'arme voire provoquer son explosion. Les munitions dont la vitesse de projection et la pression de gaz sont supérieures à la vitesse de projection et pression de gaz pour lesquelles l'arme est conçue, soumettent l'arme à une charge supplémentaire, entraînent une usure plus importante et peuvent gravement endommager l'arme.
- Essayez tout excédent de graisse ou d'huile avant le chargement et assurez-vous que le canon est

## 2 DESCRIPTION DU PRODUIT

- propre et exempt de tout corps étranger.
- Ne remplacez, traitez, modifiez ou déréglez aucune pièce de votre pistolet au-delà des indications portées dans le présent mode d'emploi. Les travaux d'entretien et de service doivent être réalisés par un personnel qualifié.
  - Toute modification non appropriée peut avoir des conséquences sur la sécurité et la fiabilité du pistolet et entraîner des blessures voire la mort.

### EXCLUSION DE RESPONSABILITÉ

La plus grande prudence est nécessaire lors de l'utilisation d'armes. Celles-ci peuvent entraîner, même involontairement, d'importants dommages et provoquer de graves blessures voire la mort. WALTHER exclut expressément toute responsabilité pour des dommages et incidents liés à l'utilisation impropre de ce pistolet ou allant à l'encontre des règlements et lois. Cela s'applique également pour les dommages dus au non-respect du présent mode d'emploi, à un échange de pièces non autorisé ou à toute intervention sur le pistolet non expressément prévue dans le présent mode d'emploi.

## 2 DESCRIPTION DU PRODUIT

### 2.1 Mode opératoire

Le système de culasse du pistolet utilise le principe du recul à verrouillage. En tirant la détente, le percuteur interne est armé et déclenché. Le percuteur frappe l'amorce de la balle et met la charge à feu. Le projectile est expulsé du canon par la pression de gaz générée et une impulsion est transmise simultanément au groupe canon/culasse verrouillée mécaniquement. Après un léger recul simultané du canon et de la culasse, le canon est dirigé vers le bas et le verrou s'enclenche. Tandis que le canon s'arrête, la culasse recule jusqu'en butée en faisant pression sur le ressort de recul et éjecte ainsi la douille vers la droite. Actionnée par le ressort de recul, la culasse entraîne la balle se trouvant tout en haut du chargeur dans la chambre lors du mouvement avant. Peu avant la fin du mouvement avant de la culasse, le canon incliné est poussé vers le haut et l'avant et verrouillé dans la fenêtre d'expulsion de la culasse. Le tireur enlève le doigt de la détente et le pistolet est prêt pour le prochain tir.

EN

DE

FR

ES

### 2.2 Munitions



#### ATTENTION

Utilisez seulement les munitions prévues pour ce pistolet. De mauvaises munitions peuvent entraîner des dysfonctionnements, empêcher la mise à feu ou, en raison d'une pression trop importante de gaz, endommager voire détruire votre pistolet.

La désignation des munitions adaptées à votre pistolet pistolet apparaît sur le côté droit du canon (voir 2.3 illustr. 1). Utilisez exclusivement des munitions correspondant à cette désignation et dont la pression de gaz est conforme aux prescriptions de la C.I.P. ou du SAAMI ou autorisée pour l'utilisation avec des armes de la police conformément à la « directive technique pour les balles 9 mm x 19 à substances nocives réduites ». Vérifiez les munitions avant de les utiliser. Utilisez seulement des munitions dont l'état est irréprochable. Le pistolet et les munitions forment un ensemble et doivent être adaptés l'un à l'autre. Leur fiabilité dépend mutuellement de chacun des éléments. La vitesse de projection, le poids des projectiles et le poids de l'arme forment différentes combinaisons agissant sur le recul ressenti lors du tir. Un recul trop important du pistolet peut sembler désagréable à certains tireurs.



2.2 Illustr. 1

#### Exemples :

- Poids de l'arme : un poids plus faible de l'arme entraîne un recul trop important.
- Poids du projectile : plus le projectile est lourd, plus le recul est important.
- Vitesse du projectile : une plus grande vitesse de projection amplifie le recul.

#### Vous pouvez procéder de la manière suivante pour vous habituer à un recul plus important :

- Lors du tir, tenez le pistolet bien calé dans les deux mains.
- Commencez par tirer, parmi les munitions adaptées à votre pistolet, avec celles caractérisées par une vitesse de projection et un poids moins importants.
- Demandez conseil à votre revendeur spécialisé pour le choix de munitions plus faibles, d'une vitesse de projection moins élevés et d'un poids moins important adaptées à votre pistolet.
- Adaptez la taille de la poignée de votre pistolet à vos besoins.



## 2 DESCRIPTION DU PRODUIT

### 2.3 Éléments fonctionnels



**Bague de protection  
pour filetage**

- |    |                           |    |                                     |
|----|---------------------------|----|-------------------------------------|
| 1  | Culasse                   | 11 | Chargeur                            |
| 2  | Guidon                    | 12 | Poignée                             |
| 3  | Arrêtoir de canon         | 13 | Arrêtoir de chargeur,<br>démontable |
| 4  | Canon                     | 14 | Détente                             |
| 5  | Cran de levier<br>d'arrêt | 15 | Pontet                              |
| 6  | Cannelures                | 16 | Carcasse                            |
| 7  | Levier d'arrêt            | 17 | Rail pour accessoires               |
| 8  | Hausse                    | 18 | Appellation                         |
| 9  | Dos de poignée            |    |                                     |
| 10 | Oeillet pour bretelle     |    |                                     |

- EN
- DE
- FR**
- ES
- IT

# PDP PISTOLS

## 2 DESCRIPTION DU PRODUIT

Illustration du pistolet avec la culasse ouverte

- 19 Tige du ressort de recul
- 20 Bouche
- 21 Numéro de Série
- 22 Plaque de culasse



- 23 Plaque de recouvrement ou le cran de mire
- 24 Fenêtre d'extraction
- 25 Extracteur (indicateur de charge)

### 2.3.1 Indicateur de charge

L'extracteur sert d'indicateur de charge. Un repère coloré est visible lorsqu'une balle ou une douille se trouve dans la boîte de culasse (2.3.1 illustr. 1).



2.3.1 Illustr. 1

## **ATTENTION**

Ne vous fiez pas exclusivement au système de visualisation de l'état de charge lors du contrôle de sécurité. La méthode de contrôle la plus fiable reste de regarder dans la chambre. Pour ce faire, retirez le chargeur du pistolet, tirez la culasse vers l'arrière jusqu'à la butée, bloquez la avec le levier d'arrêt de culasse et regardez dans la chambre.

Maniez toute arme comme si elle était chargée. Un système de visualisation de l'état de charge peut certes vous permettre de savoir si une balle se trouve ou non dans la chambre, mais certains facteurs, tels que la lumière, l'encrassement du pistolet et d'autres influences, peuvent rendre plus difficile la visualisation fiable d'une balle.

## 2 DESCRIPTION DU PRODUIT

### 2.3.2 Arrêteur de chargeur

L'arrêteur de chargeur se trouve latéralement sur le côté de la poignée.

#### Utilisation :

Les doigts doivent être en dehors du pontet et ne pas toucher la détente. Appuyez sur l'arrêteur de chargeur et retirez le chargeur (2.3.2 illustr. 1).



2.3.2 Illustr. 1

### 2.3.3 Levier d'arrêt

#### Bloquer la culasse en position ouverte :

Les doigts doivent être en dehors du pontet et ne pas toucher la détente. Retirez le chargeur puis saisissez la culasse par l'arrière au niveau des cannelures et tirez-la énergiquement vers l'arrière jusqu'à la butée. Si une balle se trouve dans la chambre, celle-ci est alors dégagée et éjectée de la chambre. Tout en maintenant la culasse le plus en arrière possible, poussez le levier d'arrêt vers le haut et faites glisser lentement la culasse vers l'avant jusqu'à ce qu'elle soit tenue par le levier d'arrêt. (2.3.3 illustr. 1).



2.3.3 Illustr. 1

#### Libérer le levier d'arrêt :

À l'aide du pouce de la main qui tire, poussez le levier d'arrêt vers le bas. La culasse glisse alors vers l'avant. Pour faciliter l'actionnement du levier d'arrêt avec le pouce, la culasse peut être tirée vers l'arrière pendant que le levier d'arrêt est actionné comme décrit ci-dessus.

### 2.3.4 Chargeur

Il est possible de voir l'état de charge du chargeur à l'aide des orifices présents dans le boîtier du chargeur (2.3.4 illustr. 1).



2.3.4 Illustr. 1

EN
DE
<b>FR</b>
ES
—

### 3 UTILISATION

#### 3.1 Contrôle du pistolet

- Avant de procéder au contrôle de votre pistolet, vérifiez qu'il est bien déchargé : pointez le pistolet dans une direction sûre. Les doigts doivent être en dehors du pontet et ne pas toucher la détente. Actionnez l'arrêteur de chargeur et retirez le chargeur (3.1 illustr. 1).
- Saisissez la culasse par l'arrière au niveau des cannelures (3.1 illustr. 2) et tirez-la énergiquement vers l'arrière jusqu'à la butée. Si une balle se trouve dans la chambre, celle-ci est alors dégagée et éjectée de la chambre. Ne couvrez pas la fenêtre d'extraction car la balle ne pourrait être expulsée comme il se doit.
- Bloquez la culasse en position ouverte : Tout en maintenant la culasse le plus en arrière possible, poussez le levier d'arrêt vers le haut et faites glisser lentement la culasse vers l'avant jusqu'à ce qu'elle soit tenue par le levier d'arrêt. (3.1 illustr. 3)
- Assurez-vous que la chambre et le canon sont bien dégagés, secs et propres. (3.1 illustr. 4)

Effectuez toujours ce contrôle avant de poser votre pistolet, de le nettoyer, de le transmettre à une autre personne, de le transporter ou de le ranger.



3.1 Illustr. 1



3.1 Illustr. 2



3.1 Illustr. 3



3.1 Illustr. 4



**ATTENTION**

Ne vous fiez pas exclusivement à la technique. Assurez votre propre sécurité en maniant toute arme avec prudence. Il est de votre responsabilité de respecter toutes les règles de sécurité lorsque vous utilisez des armes.

## 3 UTILISATION

### 3.2 Chargement

#### 3.2.1 Remplissage du chargeur

Il est possible de voir l'état de charge du chargeur à l'aide des orifices présents dans le boîtier du chargeur.



3.2.1 Illustr. 1



#### Remarque :

N'utilisez que les chargeurs d'origine pour votre arme. L'utilisation d'autres chargeurs peuvent provoquer des incidents de tir et entraîner des dommages sur votre arme.



### ATTENTION

N'essayez pas d'insérer plus de balles que ce qui est indiqué sur le chargeur. Cela pourrait provoquer des dysfonctionnements dans l'alimentation. Ne faites pas usage de la force car cela pourrait endommager le chargeur. Des chargeurs/lèvres de chargeur défectueux provoquent des dysfonctionnements et donc la défaillance du pistolet.

Pour insérer les balles dans le chargeur, poussez vers le bas la partie avant du dispositif d'alimentation avec le fond de la balle et poussez la balle sous les lèvres du chargeur jusqu'à ce que le fond de la balle touche la paroi arrière du chargeur. (3.2.1 illustr. 2)

Répétez cette procédure en poussant la balle la plus haute dans le chargeur vers le bas avec le fond de la prochaine balle et le pouce de la seconde main et en poussant ensuite la balle suivante sous les lèvres du chargeur.

#### Pour effectuer cette opération plus facilement, vous pouvez utiliser la chargette Walther :

Insérez par le haut la chargette sur le chargeur (3.2.1 illustr. 3), poussez la chargette vers le bas et insérez avec l'autre main une balle sous les lèvres du chargeur (3.2.1 illustr. 4). Soulevez légèrement la chargette et poussez complètement la balle sous les lèvres du chargeur (3.2.1 illustr. 5).



3.2.1 Illustr. 2



3.2.1 Illustr. 3



3.2.1 Illustr. 4



3.2.1 Illustr. 5

### 3.2.2 Chargement du pistolet

- Contrôlez le pistolet comme indiqué dans le chapitre 3.1.
- Pointez le pistolet dans une direction sûre et tenez vos doigts éloignés de la détente, en dehors du pontet. Insérez le chargeur dans son logement jusqu'à ce qu'il s'enclenche. Assurez-vous que le chargeur est bien enclenché en tirant le chargeur vers le bas par le fond. Le chargeur ne doit pas se détacher.
- Tirez la culasse vers l'arrière et laissez-la repartir vers l'avant.

#### **ATTENTION**

N'insérez les balles dans la chambre que par l'intermédiaire du chargeur. N'essayez pas d'insérer individuellement des balles dans la chambre par la fenêtre d'extraction. Ce faisant, vous pourriez vous blesser gravement voire mortellement ou encore entraîner la mort d'autres personnes.

#### **AVERTISSEMENT**

Le pistolet est désormais prêt à tirer. Votre pistolet et le chargeur sont chargés et un tir sera déclenché lors de l'actionnement de la détente. Dirigez toujours la bouche du pistolet dans une direction sûre et maintenez votre doigt et tout objet éloigné de la détente et en dehors du pontet. Ne déposez jamais une arme chargée.

### 3.3 Tir avec

- Dirigez la bouche dans une direction sûre et maintenez votre doigt éloigné de la détente et en dehors du pontet jusqu'à ce que vous souhaitiez tirer.
- Profitez de la forme avantageuse de la poignée du pistolet et saisissez-la le plus haut possible. Cela permet un meilleur maintien de l'arme lors du tir.
- Tout en tenant fermement la poignée du pistolet dans la main, appuyez, à l'aide de votre doigt, frontalement et avec une force croissante, sur la détente jusqu'à ce que le coup parte. Pendant le tir, la culasse recule et expulse la douille. Enfin, la culasse revient vers l'avant et introduit la balle suivante du chargeur dans la chambre.
- Après le tir, éloignez votre doigt de la détente et maintenez-le en dehors du pontet jusqu'à ce que vous soyez prêt pour le prochain tir. Vous pouvez répéter cette procédure jusqu'au dernier tir.
- Après le dernier tir, le dispositif d'alimentation du chargeur actionne le levier d'arrêt et la culasse est arrêtée en position ouverte.

## 3 UTILISATION

### ⚠ ATTENTION

Lors des séances de tir, veillez à porter une protection auditive et des lunettes de tir. Lors du tir ou de l'actionnement du levier d'arrêt de culasse, la culasse se déplace à grande vitesse et avec une force considérable dans le sens longitudinal. Pour cette raison, veillez à tenir le pistolet de telle manière qu'aucune partie de votre corps ne se trouve sur la trajectoire de la culasse.

### 3.4 Changement de chargeur

Après le dernier tir, le dispositif d'alimentation du chargeur actionne le levier d'arrêt et la culasse est arrêtée en position ouverte.

- Actionnez l'arrêtoir de chargeur et retirez le chargeur.
- Placez un nouveau chargeur
- Tirez la culasse vers l'arrière et laissez-la repartir vers l'avant.

### ⚠ ATTENTION

Le pistolet est à nouveau prêt à tirer. Dirigez toujours la bouche du pistolet dans une direction sûre et maintenez votre doigt et tout objet éloigné de la détente et en dehors du pontet, jusqu'à ce que vous soyez prêt à tirer à nouveau.

### 3.5 Déchargement

- Pointez le pistolet dans une direction sûre. Les doigts doivent être en dehors du pontet et ne pas toucher la détente. Poussez l'arrêtoir de chargeur vers le bas et retirez le chargeur (3.5. illustr. 1).
- Saisissez la culasse par l'arrière au niveau des cannelures (3.5. illustr. 2) et tirez-la énergiquement vers l'arrière jusqu'à la butée. Si une balle se trouve dans la chambre, celle-ci est alors dégagée et éjectée. Ce faisant, ne couvrez pas la fenêtre d'extraction, car la balle ne pourrait être expulsée comme il se doit.
- Bloquez la culasse en position ouverte : Tout en maintenant la culasse le plus en arrière possible, poussez le levier d'arrêt vers le haut et faites glisser lentement la culasse vers l'avant jusqu'à ce qu'elle soit tenue par le levier d'arrêt. (3.5. illustr. 3)



3.5 Illustr. 1



3.5 Illustr. 2



3.5 Illustr. 3

# PDP PISTOLS

## 3 UTILISATION

- Regardez dans la chambre (3.5. illustr. 4). La chambre doit être vide. Regardez dans le logement du chargeur. Plus aucune munition ne doit se trouver dans le pistolet.
- Pour décharger le chargeur, tenez-le de telle manière que les projectiles soient dirigés dans la direction opposée à vous. Poussez les balles les unes après les autres vers l'avant pour les faire sortir du chargeur.



3.5 Illustr. 4



### ATTENTION

À chaque fois que vous fermez la culasse alors qu'un chargeur chargé se trouve dans le pistolet, une balle est introduite dans la chambre et le pistolet est à nouveau prêt à tirer.

### 3.6 Consignes en cas de dysfonctionnement

- En cas de dysfonctionnement, attendez 10 secondes tout en maintenant la bouche du pistolet dans une direction sûre.
- Déchargez le pistolet comme indiqué dans le chapitre « 3.5. Déchargement ».
- À présent, vous pouvez effectuer un contrôle visuel de la chambre et du canon. La chambre et le canon doivent être vides.



## 4 DÉMONTAGE, NETTOYAGE, GRAISSAGE ET ENTRETIEN

### **⚠ ATTENTION**

Avant toute intervention sur le pistolet, assurez-vous que le pistolet et le chargeur sont déchargés.

### 4.1 Éléments principaux

### **⚠ ATTENTION**

Pour un démontage complet, vous devrez appuyer sur la détente. Si vous n'avez pas déchargé correctement votre arme et si vous avez laissé une balle réelle dans la chambre, le pistolet déclenchera un tir et pourrait provoquer des blessures graves voire mortelles à vous et aux personnes vous entourant, ou encore entraîner des dommages matériels. Par conséquent, vous devez bien contrôler la chambre et le chargeur (en les ouvrant) pour vous assurer qu'ils sont vides avant d'appuyer sur la détente.

#### 4.1.1 Démontage

- Déchargez le pistolet : retirez le chargeur et bloquez la culasse en position ouverte. La chambre et le logement du chargeur doivent être vides.
- Fermez la culasse : tirez la culasse vers l'arrière et ramenez-la vers l'avant.
- Pointez le pistolet dans une direction sûre et désarmez le mécanisme de percussion en actionnant la détente.
- Saisissez par le haut l'arrêtoir de canon des deux côtés et poussez-le vers le bas. (4.1.1 illustr. 1)
- Poussez la culasse vers l'avant de la carcasse.
- Retirez le bloc ressort de recul dans le sens inverse à la pression du ressort de recul. (4.1.1 illustr. 2)
- Retirez le canon de la culasse.
- 4.1.1 illustr. 3 montre les éléments principaux du pistolet démonté.



4.1.1 Illustr. 1



4.1.1 Illustr. 2



4.1.1 Illustr. 3

### 4.1.2 Montage

- Tenez la culasse face inférieure vers le haut. Insérez le canon comme indiqué sur 4.1.2 illustr. 1.
- Insérez le bloc ressort de recul : Placez le bloc ressort de recul dans le logement de la culasse avec la petite extrémité noire de la tige de guidage du ressort en direction de la bouche puis, contre la pression du ressort de recul, dans le renfoncement sur le canon avec l'extrémité arrière. (4.1.2 illustr. 1 et 2)



4.1.2 Illustr. 1



4.1.2 Illustr. 2

- Insérez les guides de la culasse montée par l'avant, sur les rails avant de la carcasse tout d'abord, puis sur les rails arrière (4.1.2 illustr. 3). Tirez la culasse vers l'arrière jusqu'à la butée puis laissez glisser vers l'avant dans la position verrouillée.

### 4.2 Bloc percuteur

#### 4.2.1 Démontage du bloc percuteur

- Démontez le pistolet en ses éléments principaux (chapitre 4.1.1).
- Appuyez la culasse côté bouche contre un support. Tenez la culasse par les cannelures à l'arrière. Poussez la goupille dans l'ouverture rectangulaire située en haut à droite dans la plaque de culasse à l'aide d'un chasse-goupille de 2 mm jusqu'à la butée (4.2.1 illustr. 1) et poussez légèrement la plaque de culasse vers le bas. Tirez la plaque de culasse vers le bas pour l'extraire de la culasse (4.2.1 illustr. 2).
- Retirez le bloc percuteur de la culasse (4.2.1 illustr. 3).



4.2.1 Illustr. 1



4.2.1 Illustr. 2



4.2.1 Illustr. 3



**Remarque :** il est normal que le bloc ressort de recul se courbe légèrement à l'état partiellement monté.

## 4.2.2 Montage du bloc percuteur

- Mettre en place le bloc percuteur (4.2.2 illustr. 1)
- Poussez à l'aide de la plaque de culasse l'extrémité arrière du bloc percuteur vers l'intérieur et poussez la plaque de culasse par le bas dans les guides de la culasse jusqu'à ce qu'elle s'enclenche. (cf. 4.2.1 illustr. 2)



4.2.2 Illustr. 1



4.2.2 Illustr. 2

## 4.3 Extracteur



**Remarque :** La sûreté du percuteur ne peut être démontée qu'après le retrait du percuteur de la culasse. Suivez les indications du chapitre 4.2 pour démonter le percuteur.

Le tir sans plaque de recouvrement ou sans support de montage peut entraîner la perte de la goupille de l'extracteur et de l'extracteur.

### 4.3.1 Démontage de l'extracteur



**AVERTISSEMENT** Portez toujours des lunettes de protection. La goupille d'extracteur et la sûreté de percuteur sont soumises à la pression du ressort.

Ces pièces peuvent être éjectées lors du démontage de l'extracteur.

### Modèles PDP OR

- Retirez la plaque de recouvrement ou le cran de mire reflex et la plaque-adaptateur, voir à ce sujet le chapitre 5.4.3.
- Tenez la culasse avec le dispositif de visée vers le bas. Repoussez la goupille de l'extracteur avec un poinçon de 2 mm (4.3.1 illustr. 1).
- Retirez l'extracteur tout en couvrant avec un doigt la sûreté de percuteur. Retirez à présent la sûreté de percuteur, de la culasse (4.3.1. illustr. 3).
- Laissez le ressort de pression de l'extracteur dans la culasse. Une spire extérieure assure la bonne position de ce ressort de pression.



4.3.1 Illustr. 1

# PDP PISTOLS

## 4 DÉMONTAGE, NETTOYAGE, GRAISSAGE ET ENTRETIEN

### PDP avec dispositif de visée ouvert

- Placez le bloc de culasse devant vous, viseur vers le bas et bouche vers la gauche.
- À l'aide d'un chasse-goupille de 2 mm, poussez la goupille d'extracteur dans la culasse contre la force du ressort (4.3.1 illustr. 1) jusqu'à ce que l'extracteur sorte. Retirez le chasse-goupille.
- Retirez l'extracteur tout en couvrant avec un doigt la sûreté de percuteur et la goupille d'extracteur. Retirez à présent la sûreté de percuteur et l'extracteur de la culasse (4.3.1 illustr. 2).
- Laissez le ressort de pression de l'extracteur dans la culasse. Un filetage à l'extrémité assure la bonne position de ce ressort de pression.



4.3.1 Illustr. 2



4.3.1 Illustr. 3

### 4.3.2 Montage de l'extracteur

#### PDP avec dispositif de visée ouvert

- Placez la culasse devant vous, viseur vers le bas et bouche vers la gauche.
- Insérez la goupille d'extracteur avec le ressort vers l'avant.
- Pour que le ressort de pression reste dans l'orifice de la sûreté de percuteur, appliquez un peu d'huile pour armes (pas de graisse !) sur le ressort avant d'insérer le ressort de pression dans l'orifice de la sûreté de percuteur. Introduisez dans l'orifice de la sûreté de percuteur avec son ressort dans le bloc de culasse. Ce faisant, le ressort de pression de la sûreté doit entrer dans l'évidement prévu à cet effet dans la culasse. Lorsqu'elle est correctement positionnée, la sûreté se trouve légèrement juste au-dessous de la surface de glissement de la balle (4.3.2 illustr. 1).
- Placez l'extrémité longue de l'extracteur à l'arrière sur le rayon de la fente de l'extracteur dans la culasse et, à l'aide du pouce de votre autre main, maintenez l'extracteur contre la goupille d'extracteur dans la culasse. À l'aide d'un chasse-goupille de 2 mm, poussez la goupille d'extracteur vers l'intérieur tout en poussant l'extracteur vers le milieu de la culasse. L'orifice situé sur l'extracteur bloque à présent la goupille d'extracteur et le chasse-goupille peut être retiré (4.3.2 illustr. 2).



4.3.1 Illustr. 4



4.3.2 Illustr. 1



4.3.2 Illustr. 2

- Poussez la sûreté contre la chute vers l'intérieur jusqu'à ce qu'elle s'aligne sur la surface de la culasse. En même temps, poussez l'extracteur vers l'intérieur avec le pouce jusqu'à ce que la goupille d'extracteur s'enclenche dans l'orifice situé sur l'extracteur (4.3..2 illustr. 3).
- Montez le percuteur comme indiqué au chapitre 4.2.2.

### Modèles PDP OR

- Placez la culasse avec le viseur vers le bas et la bouche vers la gauche.
- Pour que le ressort de pression reste dans l'orifice de la sûreté de percuteur, appliquez un peu d'huile pour armes (pas de graisse !) sur le ressort avant d'insérer le ressort de pression dans l'orifice de la sûreté de percuteur. Introduisez la sûreté de percuteur avec son ressort dans le bloc de culasse. Ce faisant, le ressort de pression de la sûreté doit entrer dans l'évidement prévu à cet effet dans la culasse. Lorsqu'elle est correctement positionnée, la sûreté se trouve légèrement au-dessous de la surface de glissement de la balle (4.3.2 illustr. 1).
- Placez l'extrémité longue de l'extracteur à l'arrière sur le rayon de la fente de l'extracteur dans la culasse et, à l'aide du pouce de votre autre main, maintenez l'extracteur contre la culasse.
- Pendant que vous introduisez la goupille de l'extracteur par le haut, poussez la sûreté de percuteur vers l'intérieur jusqu'à ce qu'elle s'aligne sur la surface de la culasse. Ce faisant, enfoncez l'extracteur à l'intérieur à l'aide du pouce et veillez à ce que les orifices soient alignés lors de l'introduction de l'extracteur.
- Installez la plaque de recouvrement ou le cran de mire reflex et la plaque-adaptateur conformément au chapitre 5.4.3

### 4.4 Chargeur

#### 4.4.1 Démontage



### ATTENTION

Le ressort du chargeur est comprimé. Des pièces peuvent être éjectées lors du démontage du chargeur. Soyez donc prudent lors du démontage du chargeur. Tenez le support du fond lorsque vous enlevez le fond du chargeur puis retirez avec prudence le support de fond et le ressort du chargeur du boîtier.

EN

DE

FR

ES

1. Appuyez sur le support de fond, par exemple avec un chasse-goupille de 4 mm, à travers l'orifice prévu dans le fond du chargeur (4.4.1 illustr. 1).

Chargeur +2 :

Pousser complètement le fond de chargeur vers l'arrière jusqu'à la butée sur le boîtier de chargeur. Introduire le bout d'un tournevis plat dans l'ouverture du support de fond à l'arrière du chargeur. Pousser le support de fond en direction des lèvres du chargeur jusqu'à ce que le support de fond sorte (4.4.1 illustr.2).

2. Poussez le fond vers l'avant et retirez-le du boîtier de chargeur tout en maintenant le support de fond contre la pression du ressort de chargeur.
3. Retirez le support de fond et le ressort de chargeur.
4. Secouez légèrement pour faire sortir le dispositif d'alimentation du boîtier de chargeur.



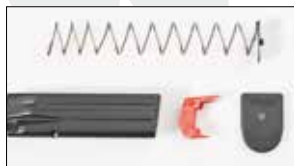
4.4.1 Illustr. 1



4.4.1 Illustr. 2

### 4.4.2 Montage

1. Introduisez tout d'abord le dispositif d'alimentation puis le ressort du chargeur avec le support de fond dans le boîtier de chargeur. Ce faisant, prêtez attention à la bonne orientation des pièces. Les pièces doivent être montées sans faire usage de la force (4.4.2 illustr. 1 et 2).



4.4.2 Illustr. 1

2. Tout en appuyant le support de fond dans le boîtier de chargeur, poussez, de l'avant, le fond du chargeur jusqu'à ce qu'il s'enclenche de manière audible.

Chargeur +2 :

Appuyer l'extrémité arrière du support de fond contre la paroi arrière du chargeur depuis l'extérieur tout en maintenant le support de fond appuyé dans le chargeur. Pousser le fond de chargeur de l'avant jusqu'en butée. Appuyer l'extrémité arrière du support de fond dans le chargeur pour que le support de fond s'enclenche.



4.4.2 Illustr. 2

### 4.5 Nettoyage



#### **ATTENTION**

Votre pistolet est un instrument de précision. Entretenez-le régulièrement pour garantir son bon fonctionnement. Avant toute intervention sur le pistolet, assurez-vous que le pistolet et le chargeur sont déchargés.

Le pistolet doit être nettoyé après chaque utilisation ou après avoir été soumis à des conditions climatiques extrêmes. Vous devez également nettoyer le pistolet lorsque vous tirez pour la première fois avec ce pistolet.

Pour protéger votre pistolet de la corrosion, celui-ci a été traité soit avec un produit de conservation, soit avec un lubrifiant. Avant d'utiliser le pistolet, essuyez tout excédent d'huile provenant du canon et de la chambre ainsi que sur les surfaces extérieures.

Démontez le pistolet en ses éléments principaux. Nettoyez le canon à l'aide d'une brosse de nettoyage et d'un écouvillon en commençant par la chambre. Enlevez du canon le plomb et les résidus à l'aide d'une brosse en laiton. Le canon et la chambre doivent être propres. Essuyez les surfaces avec un chiffon et des tiges de nettoyage.

Supprimez les résidus se trouvant sur la carcasse, le canon, l'extracteur, le fond du percuteur et sur tous les endroits encrassés à l'aide d'une petite brosse et, le cas échéant, d'un peu d'huile. Après le nettoyage, huilez légèrement le pistolet.

Si le pistolet doit être utilisé ou rangé dans un environnement froid, utilisez une huile pour armes recommandée pour les utilisations par basses températures.

### 4.6 Graissage

Après le nettoyage du pistolet, appliquez une fine couche d'huile sur les surfaces extérieures et les pièces fonctionnelles. Utilisez exclusivement une huile pour armes exempte de résine et d'acide.

Veillez à ne pas huiler plus qu'il ne faut. Si des gouttes d'huile se forment ou si de l'huile coule à travers le pistolet, cela signifie que vous avez appliqué trop d'huile.

Un excédent d'huile favorise la concentration des salissures et des restes de fumée dans le pistolet. Cela nuit au bon fonctionnement. Ne pas huiler l'orifice du percuteur (4.6. illustr. 1).



#### **ATTENTION**

Suivez le mode d'emploi du produit nettoyant utilisé. Certains produits nettoyants peuvent endommager votre pistolet. Évitez les nettoyages trop longs au bain à ultrasons et à des températures de bain supérieures à 50 °C et ne laissez pas agir les produits trop longtemps. Utilisez exclusivement les huiles pour armes et les produits nettoyants exempts de résine et de substances acides recommandés pour l'entretien des armes. Les solutions ammoniacales et alcalines ne doivent pas être utilisées.

# PDP PISTOLS

## 4 DÉMONTAGE, NETTOYAGE, GRAISSAGE ET ENTRETIEN

- **Canon :**

Après le nettoyage du pistolet, huilez les surfaces du canon et la surface de contact entre le canon et la carcasse avec un chiffon imbibé d'huile.

- **Carcasse :**

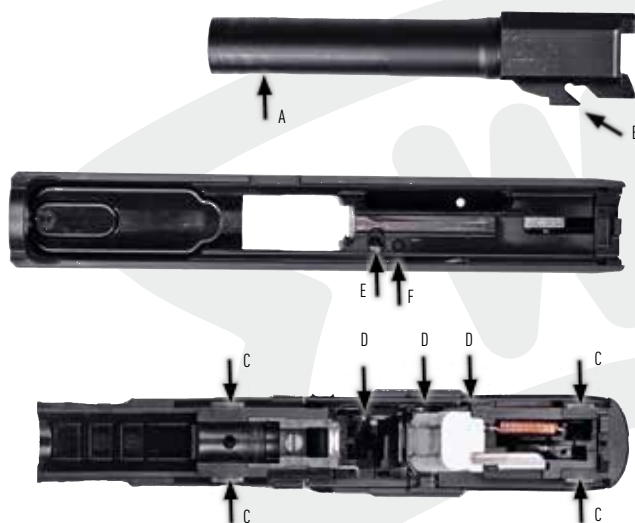
Huilez les guides de culasse et la tige de détente avec respectivement une goutte d'huile.

- **Culasse :**

Huilez la sûreté de percuteur et la came de commande avec respectivement une goutte d'huile.

- **Chargeur :**

Le chargeur doit également être légèrement huilé à l'extérieur.



### 4.7 Préparation au rangement / stockage

Veillez prendre en compte les dispositions légales en matière de rangement et de stockage d'armes à feu et de munitions en vigueur dans votre région/pays. Ne conservez pas le pistolet dans quelque chose attirant ou retenant l'humidité (du cuir ou des chiffons épais par exemple). Si le pistolet doit être stocké pendant une longue période, protégez le canon, la chambre et les pièces internes avec de l'huile pour armes ou un agent conservateur prévu pour les armes. Les pièces extérieures, la culasse, le canon et le chargeur doivent être traités avec un produit anticorrosion.

Nettoyez le pistolet avant de le réutiliser. Lors de chaque nettoyage, prêtez également attention aux marques d'usure. En cas de marques d'usure inhabituelles, faites vérifier votre pistolet par un armurier qualifié ou par WALTHER.



# 5 ADAPTATION DU PISTOLET À L'UTILISATEUR



## 5 ADAPTATION DU PISTOLET À L'UTILISATEUR

### 5.1 Arrêteur de chargeur

L'arrêteur de chargeur peut être passé d'une utilisation du côté droit à une utilisation du côté gauche. Pour faire la modification, une tige de 1 mm de diamètre et un petit tournevis (env. 2,5 mm) sont nécessaires.

1. Maintenez l'arrêteur de chargeur appuyé. Son extrémité opposée dépasse alors de la poignée de l'autre côté et fait apparaître une petite ouverture sur la face arrière. Introduisez la tige de 1 mm dans l'ouverture (5.1 illustr. 1).
2. Enfoncez la tige contre la butée dans l'ouverture. L'assemblage à encliquetage de la plaque sur l'arrêteur de chargeur est ainsi libéré (les pièces individuelles sont représentées au point 5.1 illustr. 2).
3. Soulevez la plaque avec un tournevis et retirez-la (5.1 illustr. 3). S'il est impossible de démonter la plaque, essayez de la soulever avec le tournevis tout en maintenant la tige enfoncée.
4. Retirez l'arrêteur de chargeur (5.1 illustr. 4) et le ressort de pression sur le côté opposé.
5. Introduisez le ressort de pression sur le côté à partir duquel l'arrêteur de chargeur doit pouvoir être utilisé (5.1 illustr. 5).
6. Introduisez l'arrêteur de chargeur du même côté que précédemment pour le ressort de pression (5.1 illustr. 6).
7. Maintenez l'arrêteur de chargeur appuyé pendant que vous remplacez la plaque du côté opposé. Appuyez la plaque dans l'arrêteur de chargeur jusqu'à ce qu'elle s'enclenche de manière audible. (5.1 illustr. 7 et 8).



5.1. Illustr.1



5.1. Illustr. 2



5.1. Illustr. 3



5.1. Illustr. 4



5.1. Illustr. 5



5.1. Illustr. 6



5.1. Illustr. 7



5.1. Illustr. 8

# PDP PISTOLS

## 5 ADAPTATION DU PISTOLET À L'UTILISATEUR

### 5.2 Poignée

Il est possible de monter des dos de poignée de différentes tailles afin d'adapter de façon optimale la poignée à la taille de la main. Retirez pour cela la goupille se trouvant dans la partie inférieure de la poignée en la poussant vers la droite ou la gauche à l'aide d'un chasse-goupille de 4 mm puis réinsérez-la après avoir mis en place le dos de poignée souhaité (5.1 illustr. 1). Les tailles Small, Medium et Large sont disponibles.



5.2 Illustr. 1

### 5.3. Œillet pour dragonne

La goupille utilisée pour fixer le dos de la poignée forme avec un évidement dans le dos de la poignée un œillet destiné à fixer une dragonne. Pour la mettre en place, retirez la goupille se trouvant dans la partie inférieure de la poignée en la poussant vers la droite ou la gauche à l'aide d'un chasse-goupille de 4 mm, introduisez la dragonne ou un adaptateur puis réinsérez la goupille.

### 5.4 Dispositif de visée

Le cran de mire et le guidon peuvent être remplacés. Le point d'impact est réglable latéralement et en hauteur.



**ATTENTION**

Veillez à ce que le pistolet soit déchargé avant de faire toute manipulation.

Démonter le pistolet comme cela est décrit au chapitre 4.1.1.

#### 5.4.1 Dispositif de visée en polymère

##### GUIDON

Retirer la vis du guidon sur la partie inférieure du guidon.

Repousser le guidon vers le haut. Le montage s'effectue dans l'ordre inverse. Visser la vis du guidon jusqu'à ce qu'elle affleure (5.4.1 illustr. 1).

##### CRAN DE MIRE

En cas de tirs trop hauts, tourner la vis arrière dans le sens des aiguilles d'une montre ; en cas de tirs trop bas, tourner dans le sens inverse des aiguilles d'une montre. En tournant d'un clic, le point d'impact se décale de 2 cm env. à une distance de 25 m.

En cas de tirs trop à gauche, tourner la vis avant du cran de mire dans le sens des aiguilles d'une montre ; en cas de tirs trop à droite, tourner dans le sens inverse des aiguilles d'une montre. En tournant d'un clic, le point d'impact se décale d'1 cm env. à une distance de 25 m (5.4.1. illustr. 2).



5.4.1 Illustr. 1



5.4.1 Illustr. 2

## 5 ADAPTATION DU PISTOLET À L'UTILISATEUR



### 5.4.2 Dispositif de visée en acier

#### RÉGLAGE EN HAUTEUR

Desserrer la vis du guidon et repousser le guidon vers le haut. Le montage s'effectue dans l'ordre inverse (5.4.2. illustr. 1). Veiller à ce que la vis et le filet à l'intérieur du guidon soient exempts d'huile et de graisse.

Le filet de la vis du guidon doit être sécurisé à l'aide d'une colle industrielle (Loctite 648 p. ex.). Appliquer un couple d'1 Nm pour serrer la vis du guidon.

#### RÉGLAGE LATÉRAL

Pour le réglage latéral, le cran de mire avec l'amplificateur de visée (accessoire spécial) est déplacé vers un côté.

Pour ce réglage, déplacer le cran de mire dans la direction dans laquelle le point d'impact doit être déplacé. Si le point d'impact doit, par exemple, être déplacé vers la droite, déplacer le cran de mire vers la droite.



5.4.2 Illustr. 1

EN

DE

FR

ES

### 5.4.3 Remplacer la plaque de montage

Des plaques de montage destinées à divers crans de mire reflex sont disponibles comme accessoires spéciaux. Il est ainsi possible de monter des crans de mire des marques Trijicon (02), Leupold (04) ou Docter/Vortex (06) avec une longueur totale maximale de 49 mm. Les plaques de montage portent l'inscription correspondante.

Pour monter la plaque de montage adaptée, démonter le pistolet comme cela est décrit au chapitre 4.1.1. Desserrer les deux vis avec un tournevis (T10, 5.4.3 illustr. 1) et retirer la plaque de la culasse.



5.4.3 Illustr. 1



5.4.3 Illustr. 2



**Remarque :** Ne pas remplacer les vis par des vis fournies avec un autre cran de mire. Les vis possèdent un filet métrique M3x6 (5.4.3 illustr. 2). Le filet de ces vis est pourvu d'une sûreté bleue.

Poser le nouveau support de montage sur la culasse. Pendant le serrage des vis (5.4.3 illustr. 3), tirer la plaque de montage en direction de la butée avant (vers la bouche de la culasse). Serrer les deux vis à six pans (appliquer un couple de serrage de 2 Nm env.). Le cran de mire de seconde monte peut alors être monté conformément à la notice (5.4.3 illustr. 4).



5.4.3 Illustr. 3



#### Remarque :

Veillez à ce que les vis de fixation soient de la correcte longueur pour que les accessoires soient bien en place. Fixez les vis avec une colle industrielle (par exemple Loctite 648) pour éviter tout desserrage involontaire. Les plaques de montage actuellement disponibles se trouvent sur notre site web.

Avant toute utilisation, s'assurer que les accessoires sont bien fixés.

Le tir sans plaque de recouvrement ou sans support de montage peut entraîner la perte de la goupille de l'extracteur et de l'extracteur.



5.4.3 Illustr. 4

## 6 CARACTÉRISTIQUES TECHNIQUES

### 6 CARACTÉRISTIQUES TECHNIQUES PDP COMPACT

	PDP Compact		
Calibre	9mm x 19		
Capacité du chargeur	15 balles		
Modèle	4"	4.5"	5"
Longueur du canon *	102	115	127
Dimensions (Lo/La/H) *	184 / 34 / 135	197 / 34 / 135	210 / 34 / 135
Poids, chargeur vide compris	685 g	700 g	735 g
Longueur de la ligne de mire	163	176	188
Largeur de la hausse / Largeur du guidon	3,7 mm / 3,7 mm		
Énergie du projectile E3, Poids du projectile	500 J 8 g		
Profilé du canon, Longueur de rayure	Polygonale, 250 mm, avec pas à droite		
Type de verrouillage	Système browning sans élément intermédiaire		
Système	Percuteur interne		
Principe de détente	Performance Duty Trigger (PDT)		
Force/course de détente	25 N / 9 mm (identiques à chaque tir)		
Sortie de magazine	réversible		
Taille de la poignée, réglable	dos de poignée Small, Medium et Large		
Options de visée réflexe (Modèles OR)	49 mm, p. ex. Docter/Vortex, Leupold, Trijicon		
Sûretés	Interrupteur, sûreté de détente et de percuteur, indicateur de charge		
Matériaux	Bloc de culasse et canon: acier amélioré haute résistance traité Tenifer®. Carcasse: polyamide 12 renforcé par des fibres		

\*Le canon et la longueur totale des pistolets à canon fileté sont 15 mm (0,6") plus longs que ceux mentionnés ci-dessus. Le filetage du canon est un 1/2"-28 UNEF.

Ces indications sont des moyennes. Les valeurs réelles peuvent s'en écarter.  
Tenifer® is a registered trademark of Durferrit GmbH, Germany.

### 6 CARACTÉRISTIQUES TECHNIQUES PDP FULL SIZE

	PDP Full Size		
Calibre	9mm x 19		
Capacité du chargeur	18 balles		
Modèle	4"	4,5"	5"
Longueur du canon *	102	115	127
Dimensions (Lo/La/H) *	184 / 34 / 143	197 / 34 / 143	210 / 34 / 143
Poids, chargeur vide compris	695 g	715 g	740 g
Longueur de la ligne de mire	163	176	188
Largeur de la hausse / Largeur du guidon	3,7 mm / 3,7 mm		
Énergie du projectile E3, Poids du projectile	500 J 8 g		
Profilé du canon, Longueur de rayure	Polygonale, 250 mm, avec pas à droite		
Type de verrouillage	Système browning sans élément intermédiaire		
Système	Percuteur interne		
Principe de détente	Performance Duty Trigger (PDT)		
Force/course de détente	25 N / 9 mm (identiques à chaque tir)		
Sortie de magazine	réversible		
Taille de la poignée, réglable	dos de poignée Small, Medium et Large		
Options de visée réflexe (Modèles OR)	49 mm, p. ex. Docter/Vortex, Leupold, Trijicon		
Sûretés	Interrupteur, sûreté de détente et de percuteur, indicateur de charge		
Matériaux	Bloc de culasse et canon: acier amélioré haute résistance traité Tenifer®. Carcasse: polyamide 12 renforcé par des fibres		

\*Le canon et la longueur totale des pistolets à canon fileté sont 15 mm (0,6") plus longs que ceux mentionnés ci-dessus. Le filetage du canon est un 1/2"-28 UNEF.

Ces indications sont des moyennes. Les valeurs réelles peuvent s'en écarter.

Tenifer® is a registered trademark of Durferrit GmbH, Germany.



INSTRUCCIONES DE USO

# PDP PISTOLS

EN

DE

FR

**ES**

IT



LEA CON ATENCIÓN LAS INSTRUCCIONES Y ADVERTENCIAS  
DE ESTE MANUAL ANTES DE UTILIZAR EL ARMA.

**NOTA:**

En el presente manual se detallan las instrucciones de uso de la pistola por parte de civiles. Las instrucciones para los cuerpos de seguridad pueden diferir de lo especificado aquí.

A lo largo del manual, las indicaciones de situación, como «izquierda», «derecha», «adelante», «atrás», etc. hacen referencia a una pistola sostenida en una posición de disparo normal, es decir, apuntando en dirección opuesta al tirador, con el cañón en posición aproximadamente horizontal y con la empuñadura dirigida hacia abajo.

Las explicaciones de este manual se basan en el uso del arma con la mano derecha. Los usuarios zurdos deben realizar los cambios correspondientes.

Por favor tenga en cuenta que las ilustraciones en estas instrucciones de uso tienen un fin explicativo y pueden diferir las del arma real.



## INDICE

<b>1 Instrucciones de seguridad</b>	<b>4</b>
<b>2 Descripción del producto</b>	<b>5</b>
2.1 Descripción de funcionamiento	5
2.2 Munición	6
2.3 Elementos de manejo y funcionales	7
<b>3 Trato de la pistola</b>	<b>10</b>
3.1 Inspección de la pistola	10
3.2 Carga	11
3.3 Disparo	12
3.4 Cambio de cargadores vacíos	13
3.5 Descarga de la pistola	13
3.6 Disparo fallido	14
<b>4 Desmontaje, limpieza, lubricación y mantenimiento</b>	<b>15</b>
4.1 Componentes principales	15
4.2 Conjunto del percutor	16
4.3 Extractor	17
4.4 Cargador	19
4.5 Limpieza de la pistola	21
4.6 Lubricación	21
4.7 Mantenimiento antes del almacenamiento	22
<b>5 Adaptación de la pistola al usuario</b>	<b>23</b>
5.1 Retén del cargador	23
5.2 Empuñadura	24
5.3 Orificio para correa	24
5.4 Miras	24
<b>6 Especificaciones técnicas</b>	<b>27</b>

### 1 INSTRUCCIONES DE SEGURIDAD

- Antes de utilizar la pistola, lea detenidamente este manual de instrucciones para conocer con detalle sus funciones y procedimientos de manipulación. La mayor parte de las operaciones y piezas de la pistola se mencionan una sola vez en este manual. En las secciones correspondientes hallará indicaciones para consultar los capítulos anteriores a fin de obtener más información.
- Antes de disparar, cuando se produzcan fallos de funcionamiento y antes de llevar a cabo una limpieza, compruebe siempre que el arma está descargada (el cargador se ha extraído de la pistola y la recámara está vacía), el ánima del cañón está limpia y no presenta obstrucciones y el cargador está vacío.
- Nunca guarde la munición en el mismo lugar que el arma de fuego. Guarde el arma y la munición por separado y en lugares seguros, de modo que las personas no autorizadas, como los niños, no puedan tener acceso a ellas.
- Trate siempre las armas de fuego como si estuviesen cargadas y pudiesen dispararse al apretar el gatillo. Sujete siempre la pistola de manera que no suponga ningún peligro para usted ni para las personas que se encuentran cerca. Mantenga siempre el arma apuntada en una dirección que resulte segura. No apunte nunca con un arma de fuego a una persona u objeto sobre el que no pretenda disparar, independientemente de que esté cargada o no. No olvide que incluso la pistola más segura puede suponer un peligro si no se maneja debidamente.
- Precaución: mantenga los dedos apartados del guardamonte y del gatillo hasta que alinee las miras de la pistola sobre un objetivo seguro y tome la decisión de disparar. Preste siempre atención al objetivo y a lo que hay tras él.
- No fuerce nunca las piezas de la pistola al utilizarla, examinarla, desmontarla, limpiarla o montarla. Un trato inadecuado del arma puede afectar a su funcionamiento y seguridad. La pistola no debe en ningún caso desmontarse más allá de lo especificado en el presente manual de instrucciones.
- Sólo es posible garantizar la seguridad y el correcto funcionamiento de la pistola cuando tanto ésta como su munición se encuentran en perfecto estado.
- Si sospecha que el arma puede haber resultado afectada por factores externos como la corrosión, una caída, etc., llévela a revisar por un armero cualificado.
- Utilice siempre protección auditiva y gafas de seguridad adecuadas para armas de fuego y asegúrese de que todas las personas que se encuentran en las cercanías también las usan.
- Este arma se ha diseñado para una munición de un tipo y calibre específicos, que se indican en la propia arma. Utilice únicamente munición del calibre indicado para el arma y que cumpla las especificaciones de la Comisión Internacional Permanente para la Prueba de Armas de Fuego Portátiles (CIP) o el Instituto de Fabricantes de Armas y Municiones de Caza Deportiva (SAAMI). Cuando utilice munición recargada, no utilice una presión de gas mayor que permitida por CIP o SAAMI. Una presión excesiva puede dañar o destruir el arma de fuego. Las municiones con velocidades y presiones superiores a aquellas para las que está diseñada el arma, la someterán a una mayor tensión, causarán un desgaste excesivo y podrían llegar a ocasionar daños graves en ella.
- Antes de cargar el arma limpie siempre el exceso de grasa y aceite y compruebe que el cañón esté limpio y libre de obstrucciones.

## 2 DESCRIPCIÓN DEL PRODUCTO

- No altere, modifique o cambie ninguna pieza del arma a menos que así se indique específicamente en este manual. Toda operación de mantenimiento o reparación no especificada en este manual debe ser realizada por un armero cualificado utilizando piezas originales WALTHER.
- Cambios inadecuados en el arma pueden afectar la seguridad y fiabilidad de la pistola como también causar heridas graves o incluso la muerte.

### CLÁUSULA DE EXENCIÓN DE RESPONSABILIDAD

Extreme siempre las precauciones cuando vaya a manejar un arma. Siempre existe un riesgo de que involuntariamente se produzcan, lesiones personales o incluso la muerte y daños materiales. WALTHER se exime de toda responsabilidad por los daños derivados de un uso inapropiado o contrario a la normativa legal de esta la pistola. Esto mismo es válido para daños derivados de la no observancia de estas instrucciones de uso, del cambio no autorizado de piezas o cualquier otra modificación de la pistola que no esté prevista expresamente en estas instrucciones de uso.

## 2 DESCRIPCIÓN DEL PRODUCTO

### 2.1 Descripción del funcionamiento

La pistola semiautomática WALTHER pistola dispara a cerrojo cerrado, aprovechando el principio de retroceso corto. Al apretar el gatillo, se libera el percutor y se dispara el cartucho. La presión del gas impulsa el proyectil y lo hace salir del cañón. El impulso resultante provoca un movimiento hacia atrás del cañón y la corredera, que retroceden juntos unos centímetros, hasta que ambos se separan debido un movimiento basculante que hace que la parte posterior del primero descienda y se detenga. La corredera sigue su trayectoria hacia atrás y extrae el cartucho usado de la recámara, expulsándolo por el lado derecho del arma. Una vez que la corredera alcanza el límite de su recorrido, el resorte recuperador la hace avanzar de nuevo, toma un cartucho nuevo del cargador y lo introduce en la recámara. Este mismo movimiento hace avanzar y ascender la recámara y el cañón hasta encajar en la corredera. Suelte el gatillo para que recupere su posición inicial. En este momento, la pistola estará lista para realizar otro disparo.

EN
DE
FR
<b>ES</b>
IT

### 2.2 Munición



### ATENCIÓN

No utilice munición que no haya sido diseñada específicamente para ser usada en este arma. Si se utiliza una munición de un tipo o calibre incorrecto, es posible que el arma se encasquille, que no dispare o que se genere una presión excesiva capaz de dañar o destruir el arma, lo que podría causar daños materiales, lesiones e incluso la muerte.

Consulte la designación de calibre indicada en el arma. Esta información muestra el calibre de la munición que se debe usar en este arma de fuego (2.3 Fig. 1). Utilice únicamente munición adecuada para el calibre del arma y que cumpla las especificaciones de CIP o SAAMI o que posea la certificación "Directrices técnicas de proyectil 9mm x 19, sustancia nociva reducida".

Compruebe la munición antes de dispararla y utilice únicamente aquella que se encuentre en perfecto estado. Un arma

de fuego y su correspondiente munición son un sistema y, como tal, deben trabajar conjuntamente. El rendimiento de ambos se encuentra estrechamente relacionado. El retroceso puede verse afectado en gran medida por las distintas combinaciones de velocidad y peso de la bala, así como por el peso del arma. Una fuerza de retroceso elevada puede resultar incómoda para algunos tiradores.



2.2 Fig. 1

#### Por ejemplo:

- Peso del arma: a menor peso del arma, mayor retroceso.
- Peso de la bala: a mayor peso de la bala, mayor retroceso.
- Velocidad de la bala: a mayor velocidad de la bala, mayor retroceso.

#### Para acostumbrarse a un retroceso mayor, pruebe lo siguiente:

- Sujete firmemente el arma con las dos manos al disparar.
- Comience con la munición adecuada para su arma, con proyectil de poco peso y de menor velocidad.
- Solicite en su armería la bala de menor potencia, velocidad y peso para su arma.
- También puede intentar cambiar la composición/configuración de la empuñadura del arma para que se ajuste mejor a la forma y el tamaño de su mano.

## 2 DESCRIPCIÓN DEL PRODUCTO

### 2.3 Elementos funcionales



Cubrerroscas

- |   |                                   |    |  |
|---|-----------------------------------|----|--|
| 1 | Corredera                         | 10 | Orificio para correa                     |
| 2 | Punto de mira                     | 11 | Cargador                                 |
| 3 | Retén de desmontaje               | 12 | Empuñadura                               |
| 4 | Cañón                             | 13 | Retén del cargador, para diestro o zurdo |
| 5 | Muesca de la palanca de retención | 14 | Gatillo                                  |
| 6 | Lateral aserrado de la corredera  | 15 | Guardamonte                              |
| 7 | Palanca de retención              | 16 | Armazón                                  |
| 8 | Alza                              | 17 | Riel para accesorios                     |
| 9 | Lomo                              | 18 | El modelo                                |

# PDP PISTOLS

## 2 DESCRIPCIÓN DEL PRODUCTO

La imagen muestra la pistola con la corredera abierta

- 19 Guía del resorte de recuperación
- 20 Boca
- 21 Número de serie
- 22 Tapa de extremo de corredera



- 23 Place de recubrimiento o la mira reflex
- 24 Ventana de expulsión
- 25 Extractor (indicador de carga de la recámara)

### 2.3.1. Indicador de carga de la recámara

El extractor funciona también como indicador de carga de la recámara. Una marca de color indica que existe un cartucho o un casquillo en la recámara (2.3.1. fig. 1).



2.3.1 Fig. 1

### **⚠ ATENCIÓN**

No confíe exclusivamente en el indicador de carga de la recámara para verificar la presencia de un cartucho en ella. El método más seguro para determinar la presencia o ausencia de un cartucho en la recámara consiste en inspeccionar visualmente la recámara del arma extrayendo el cargador y tirando de la corredera hasta dejarla en posición abierta y bloqueada.

### **⚠ ATENCIÓN**

Trate siempre las armas de fuego como si estuviesen cargadas y pudiesen dispararse al apretar el gatillo. El indicador de carga de la recámara puede ayudarle a determinar si ésta se encuentra cargada o no, pero la cantidad de luz, la limpieza de la pistola, la decoloración de la munición y otros factores pueden limitar la efectividad de este indicador.

## 2 DESCRIPCIÓN DEL PRODUCTO

### 2.3.2 Retén del cargador

El retén del cargador se encuentra en la parte lateral de la empuñadura.

#### Manejo:

L El dedo se encuentra fuera del guardamonte y no toca el gatillo. Presione el retén del cargador y extraiga el cargador (2.3.2 Fig. 1)



2.3.2 Fig. 1

### 2.3.3 Palanca de retención

#### Bloqueo de la corredera en posición abierta:

Sujete la pistola con el dedo fuera del guardamonte y sin apoyarlo en el gatillo. Presione el retén del cargador y extraiga este último.

Sujete la corredera desde detrás, por los laterales aserrados, con el pulgar y los dedos mientras sostiene la pistola y tire completamente hacia atrás con firmeza para extraer cualquier cartucho que pudiera encontrarse en la recámara y vaciar la pistola.

Para bloquear la corredera en posición abierta, deje que ésta avance ligeramente desde la posición totalmente retrasada mientras presiona hacia arriba la palanca de retención (2.3.3 Fig. 1).



2.3.3 Fig. 1

#### Liberación de corredera mediante la palanca de retención:

Empuje la palanca de retención de la corredera hacia abajo con el pulgar de la mano de disparo para liberar la corredera y dejar que vuelva a moverse totalmente hacia adelante.

Para manejar con mayor facilidad la corredera, sujete los laterales aserrados de ésta desde detrás y tire de ella hacia atrás mientras mantiene presionada la palanca de retención a fin de liberar la corredera y permitir que avance hasta la posición totalmente adelantada.

### 2.3.4 Cargador

A través de los orificios en el cuerpo del cargador es posible ver el estado de carga del cargador (2.3.4 Fig. 1).



2.3.4 Fig. 1

EN
DE
FR
<b>ES</b>
IT

### 3 TRATO DE LA PISTOLA

#### 3.1 Inspección de la pistola

- Antes de realizar la inspección de la pistola hay que comprobar que la pistola se encuentra descargada. Apunte la boca del cañón en una dirección segura. El dedo deberá estar fuera del guardamonte y alejado del gatillo. Presione el retén del cargador y extraiga el cargador (3.1 Fig. 1).
- Sujete la corredera desde detrás por los laterales aserrados con el pulgar y los dedos, según se muestra en 3.1 Fig. 2, y tire completamente hacia atrás con firmeza para extraer cualquier cartucho que pudiera encontrarse en la recámara y vaciar la pistola. No obstruya la ventana de expulsión, ya que podría impedir la salida del cartucho.
- Bloquee la corredera en posición abierta. Para ello, deje que ésta avance un poco desde la posición totalmente retrasada mientras presiona hacia arriba la palanca de retención (3.1 Fig. 3).
- Examine la recámara para asegurarse de que está descargada e inspeccione visualmente el ánima a fin de comprobar de que está limpia, seca y libre de obstrucciones (3.1 Fig. 4).

Es necesario llevar a cabo este procedimiento cada vez que se desmonta, se limpia, se recibe o entrega a otra persona, se transporta o se almacena.



3.1 Fig. 1



3.1 Fig. 2



3.1 Fig. 3



3.1 Fig. 4



#### ATENCIÓN

Nunca confíe exclusivamente en las características mecánicas. Sólo el trato correcto del arma puede garantizar un uso seguro de la misma. Recuerde, es su responsabilidad.



## 3 TRATO DE LA PISTOLA

### 3.2 Carga

#### 3.2.1 Cargar el cargador

Una vez extraído el cargador de su alojamiento, es posible ver el número de cartuchos restantes en el mismo a través de los orificios.



3.2.1 Fig. 1



#### AVISO:

Utilice únicamente los cargadores de esta pistola. Si se utilizan otros cargadores se pueden producir interrupciones y daños a la pistola y al cargador.



#### ATENCIÓN

No intente introducir en el cargador un número de cartuchos superior al especificado, ya que esto podría dar lugar a un fallo de alimentación. No aplique una fuerza excesiva para evitar dañar el cargador. Los cargadores defectuosos pueden dar lugar a fallos de funcionamiento e inutilizar la pistola.

Para llenar el cargador, presione el culote de un cartucho (su parte trasera) hacia abajo sobre la parte delantera del elevador (o sobre el cartucho en caso de que haya uno previamente cargado) y deslícelo completamente bajo los labios del cargador hasta que el culote del cartucho se encuentre apoyado contra la parte posterior del cargador. Repita el procedimiento tantas veces como cartuchos desee cargar, respetando siempre el límite de capacidad del cargador (3.2.1 Fig. 1)..

#### El proceso de carga puede simplificarse gracias al dispositivo de ayuda de carga para cargadores de WALTHER:

Coloque el dispositivo de carga sobre el cargador, con su lateral más largo hacia atrás (3.2.1 Fig. 2). Presione hacia abajo el dispositivo de carga e introduzca un cartucho con la otra mano (3.2.1 Fig. 3). Deje que el dispositivo de carga vuelva a subir. Empuje el cartucho totalmente hacia adentro con la mano (3.2.1 Fig. 4). Repita el procedimiento tantas veces como cartuchos desee cargar, respetando siempre el límite de capacidad del cargador.



3.2.1 Fig. 2



3.2.1 Fig. 3



3.2.1 Fig. 4



3.2.1 Fig. 5

### 3.2.2 Carga de la pistola

- Examine la pistola, tal y como se describe en la sección 3.1.
- Sujete la pistola con el dedo fuera del guardamonte y apartado del gatillo, apuntando el arma en una dirección segura. Introduzca el cargador cargado en su alojamiento hasta que quede sujeto en su posición. Para asegurarse de que el cargador está introducido por completo y de forma segura, tire hacia abajo de la parte visible de la tapa inferior del cargador. Si está debidamente introducido, no debe moverse.
- Tire de la corredera completamente hacia atrás y suéltela para que se desplace totalmente hacia adelante.

#### **⚠ ATENCIÓN**

Cargue siempre un cartucho en la recámara trasladándolo desde el cargador. En caso contrario, el usuario del arma o las personas que se encuentran cerca podrían resultar heridas de gravedad o incluso muertas. Nunca intente cargar la pistola introduciendo un cartucho por la ventana de expulsión abierta.

#### **⚠ PRECAUCIÓN**

En este momento, la pistola está cargada y lista para disparar. La pistola está cargada con un cartucho y se disparará si se aprieta el gatillo. No olvide que la pistola debe apuntar siempre en una dirección segura y que ha de mantener en todo momento los dedos y cualquier otro objeto alejados del gatillo y fuera del guardamonte hasta que decida disparar el arma. Nunca permita que el arma de fuego cargada quede fuera de su control directo.

### 3.3 Disparo

- Apunte siempre con el arma en una dirección segura y mantenga el dedo fuera del guardamonte hasta que esté listo para disparar.
- La forma de sujetar el arma afecta al control del retroceso y del gatillo. El armazón de la pistola ofrece un gran nivel de control, que permite al tirador disponer de un agarre elevado, muy cercano al eje del ánima del arma.
- Mientras sujeta con firmeza el arma por la empuñadura, coloque el dedo sobre la superficie frontal del gatillo y muévelo lentamente. Apriete el gatillo hasta que éste alcance su límite de recorrido. Cuando el gatillo llega atrás, el percutor se libera y golpea al fulminante. Al disparar, la corredera se mueve hacia atrás para extraer y expulsar la vaina del cartucho usado. A continuación, la corredera vuelve hacia adelante e introduce el siguiente cartucho del cargador en la recámara del cañón.
- Tras disparar, debe dejar que el gatillo regrese a su posición original antes de disparar de nuevo. Mantenga el dedo apartado del gatillo y fuera del guardamonte hasta que esté listo para disparar de nuevo. Puede repetir esta secuencia de pasos hasta disparar todos los cartuchos.
- En ese momento, el elevador presiona hacia arriba la palanca de retención para mantener la corredera bloqueada en posición abierta.

## 3 TRATO DE LA PISTOLA

### ⚠ PRECAUCIÓN

Utilice siempre protección auditiva y gafas de seguridad adecuadas para armas de fuego. Al disparar la pistola o soltar la palanca de retención para liberar la corredera, ésta se moverá con una fuerza y velocidad considerables. A fin de evitar lesiones, asegúrese de que ninguna parte de su cuerpo se encuentra en la trayectoria de la corredera.

### 3.4 Cambio de cargadores vacíos

Tras disparar el último cartucho, el elevador presiona hacia arriba la palanca de retención para mantener la corredera bloqueada en posición abierta.

- Presione el retén del cargador y extraiga este último.
- Para seguir disparando, introduzca otro cargador con munición.
- Tire de la corredera completamente hacia atrás y suéltela para que se desplace totalmente hacia adelante.

### ⚠ PRECAUCIÓN

La pistola quedará lista para disparar. Apunte siempre en una dirección segura, y no olvide mantener el dedo fuera del guardamonte y apartado del gatillo hasta que esté listo para disparar.

### 3.5 Descarga de la pistola

- Apunte el arma en una dirección segura. Mantenga el dedo apartado del gatillo y fuera del guardamonte. Presione el retén del cargador y extraiga este último (3.5 Fig. 1).
- Sujete la corredera desde detrás por los laterales aserrados con el pulgar y los dedos (3.5 Fig. 2) y tire completamente hacia atrás con firmeza para extraer cualquier cartucho que pudiera encontrarse en la recámara y vaciar la pistola. No obstruya la ventana de expulsión, ya que podría impedir la salida del cartucho.
- Pour décharger le chargeur, tenez-le de telle manière que les projectiles soient dirigés dans la direction opposée à vous. Poussez les balles les unes après les autres vers l'avant pour les faire sortir du chargeur.



3.5 Fig. 1



3.5 Fig. 2



3.5 Fig. 3

# PDP PISTOLS

## 3 TRATO DE LA PISTOLA

- Bloquee la corredera en posición abierta. Para ello, deje que la corredera avance un poco desde la posición totalmente retrasada mientras presiona hacia arriba la palanca de retención (3.5 Fig. 3).
- Examine visualmente la recámara para asegurarse de que está vacía (3.5 Fig. 4). Mire en la recámara y en el alojamiento del cargador. Compruebe que no queda munición en la pistola.



3.5 Fig. 4

Descargue el cargador. Para ello, sujételo de modo que el extremo a través del que se cargan los cartuchos no apunte hacia usted y presione cada cartucho hacia adelante y afuera del cargador.



### ATENCIÓN

Recuerde también que cada vez que libera la corredera mientras la pistola contiene un cargador con cartuchos, el arma se recarga.

### 3.6 Solucionar fallos de disparo

- Si un cartucho no se dispara, espere 10 segundos mientras apunta en una dirección segura.
- Siga el procedimiento especificado en la sección 3.5, "Descarga de la pistola".
- Transcurrido ese tiempo, puede examinar con seguridad la recámara del cañón e inspeccionar visualmente el cañón en busca de obstrucciones. Asegúrese de que no haya cartuchos en la recámara ni obstrucciones en el cañón.

## 4 DESMONTAJE, LIMPIEZA, LUBRICACIÓN Y MANTENIMIENTO

### ⚠ ATENCIÓN

Asegúrese de que el arma está descargada (el cargador se ha extraído de la pistola y la recámara está vacía) y el cargador está vacío.

### 4.1 Componentes principales

### ⚠ ATENCIÓN

Para desmontar, se debe apretar el gatillo. Por lo tanto si usted no ha descargado la pistola correctamente y ha quedado algún cartucho en la recámara, la pistola podría dispararse causándole a usted o a otras personas graves lesiones e incluso la muerte, además de daños materiales. Por ello, usted debe la recámara y el cargador para revisarlos minuciosamente y asegurarse de que están vacíos antes de apretar el gatillo.

#### 4.1.1 Desmontaje

- Extraiga el cargador y descargue la pistola. Bloquee la corredera en posición abierta. Mire en la recámara y en el alojamiento del cargador. Compruebe que no queda munición en la pistola.
- Cierre la corredera. Para ello, tire ligeramente hacia atrás de la corredera y suéltela para que regrese a la posición adelantada.
- Oriente la boca del cañón en una dirección segura y desarmar el mecanismo percutor accionando el gatillo.
- Sujete el retén de desmontaje desde arriba por los dos lados y presione hacia abajo (4.1.1 Fig. 1).
- Lleve la corredera hacia adelante y extraígalas del armazón.
- Extraiga el conjunto de guía del resorte recuperador de debajo del cañón mientras aprieta el resorte (4.1.1 Fig. 2).
- Quite el cañón de la corredera.
- Los componentes principales de la pistola se muestran en 4.1.1 Fig. 3.



4.1.1 Fig. 1



4.1.1 Fig. 2



4.1.1 Fig. 3

### 4.1.2 Montaje

- Sujete la corredera en posición invertida. Coloque el cañón en su interior, con los tetones en la posición que se indica en 4.1.2 Fig. 1.
- Introduzca el conjunto de guía del resorte recuperador: Coloque el extremo más pequeño de la guía del resorte recuperador en la parte delantera de la corredera, y luego inserte el extremo más grande en el receso inferior del cañón, manteniendo la presión del resorte (4.1.2 Fig. 1 y 2).



**NOTA:** Es normal que el conjunto de guía del resorte recuperador se doble al instalarse parcialmente.

- Empuje la corredera desde el frontal e introdúzcala en las guías que a tal fin presenta el armazón (4.1.2 Fig. 3), haciendo que entre lo bastante como para que el retén de desmontaje quede encajado en su posición y sin olvidar que la corredera también debe entrar en las guías traseras del armazón. Suelte la corredera y deje que se mueva totalmente hacia adelante hasta quedar bloqueada en su posición.



4.1.2 Fig. 1



4.1.2 Fig. 2

### 4.2 Conjunto del percutor

#### 4.2.1 Desmontaje del conjunto del percutor

- Desmonte la pistola en sus componentes principales (cap. 4.1.1).
- Apoye la boca de la corredera sobre una superficie lisa y plana. Sujete la corredera por las estrías laterales traseras. Empuje el pasador en el agujero cuadrado, situado en la parte superior derecha de la tapa de la corredera, usando un punzón de 2 mm (4.2.1 fig. 1) y quite la tapa de la corredera deslizándola ligeramente hacia abajo (4.2.1 fig. 2).
- Saque el conjunto del percutor de la corredera (4.2.1fig. 3).



4.2.1 Fig. 1



4.2.1 Fig. 2



4.2.1 Fig. 3

## 4.2.2 Instalación del conjunto del percutor

- Inserte el conjunto del percutor.
- Utilice la tapa del extremo de la corredera para empujar el conjunto del percutor hacia el interior de la corredera y vuelva a introducir la tapa del extremo de la corredera desde la parte inferior de ésta hasta que encaje en su lugar (consulte 4.2.1 Fig. 2).



4.2.2 Fig. 1



4.2.2 Fig. 2

## 4.3 Extractor



**NOTA:** El seguro del percutor sólo se deberá desmontar después de retirar el percutor de la corredera. Siga las instrucciones del capítulo 4.2 para desmontar el percutor. Disparar sin la placa de cubierta o la base de montaje puede provocar la pérdida del pasador del extractor y del extractor.

### 4.3.1 Desmontaje del extractor



## ATENCIÓN

Use gafas protectoras. El émbolo extractor y el seguro del percutor están bajo presión del muelle. Al desmontar el extractor puede que algunas piezas salgan despedidas.

### PDP o modelos

- Retire la placa de recubrimiento o la mira reflex y la placa adaptadora. Véase al respecto la sección 5.4.3.
- Sujete la corredera con la mira apuntando hacia abajo. Emplee un punzón de 2 mm para sacar el pasador del extractor (4.3.1 fig. 1).
- Cubra con un dedo el seguro del percutor mientras extrae el extractor. Retire ahora el seguro del percutor de la corredera (4.3.1, fig. 3).
- No retire el muelle del extractor de su asiento dentro de la corredera. El muelle lleva una espiral final grande que lo asegura contra la caída.



4.3.1 Fig. 1

### PDP con mira abierta

- Coloque la corredera en posición invertida, con la boca apuntando hacia la izquierda.
- Presione el émbolo del extractor con un punzón de 2 mm contra la fuerza del resorte dentro de la corredera (4.3.1 fig. 1) hasta que salte el extractor. Quite el punzón.
- Cubra con un dedo el seguro del percutor y el émbolo del extractor para que no salten mientras desmonta el extractor. Retire ahora el seguro del percutor y el extractor de la corredera (4.3.1 fig. 2).
- No quite el muelle de su asiento dentro de la corredera. El ajuste seguro este muelle viene dado por una espiral final grande.



4.3.1 Fig. 2



4.3.1 Fig. 3

### 4.3.2 Instalación del extractor

#### PDP con mira abierta

- Coloque la corredera en posición invertida, con la boca apuntando hacia la izquierda.
- Coloque el émbolo del extractor con el muelle por delante.
- Asegure el muelle en el agujero del seguro del percutor para que no se caiga, aplicando algo de aceite para armas (no grasa) en el muelle, antes de insertar el muelle en el agujero del seguro del percutor. Coloque el seguro del percutor con el muelle en la corredera. Asegúrese de que el resorte del seguro entre en la muesca, prevista para ello, de la corredera. La posición será correcta si el seguro se encuentra ahora ligeramente justo por encima de la superficie de deslizamiento del cartucho (4.3.2 fig. 1).
- Coloque el extremo largo del extractor en la ranura del mismo en la corredera y empuje el extractor con el pulgar de la otra mano contra el émbolo del extractor en la corredera. Presione hacia dentro el émbolo del extractor con un punzón de 2 mm, mientras que empuja el extractor en dirección del centro de la corredera. El ojete del extractor bloquea ahora el émbolo del extractor y se puede sacar el punzón (4.3.2 fig. 2)



4.3.1 Fig. 4



4.3.2 Fig. 1



4.3.2 Fig. 2



- Presione hacia dentro el seguro del percutor, hasta que quede a ras con la superficie de la corredera. Al mismo tiempo, presione el extractor con el dedo pulgar hasta que el émbolo encaje en el agujero del extractor (4.3.2 fig. 3).
- Monte el percutor como se describe en el capítulo 4.2.2.

### PDP OR Models

- Coloque la corredera con la mira hacia abajo y la boca apuntando hacia la izquierda.
- Antes de insertar el muelle en el agujero del seguro del percutor, asegure el muelle en el agujero del seguro del percutor aplicando algo de aceite para armas (¡no grasa!) en el muelle para que no se caiga. Coloque el seguro del percutor con su muelle en la corredera. Asegúrese de que el resorte del seguro entre en la muesca prevista para ello en la corredera. La posición es correcta cuando el seguro se encuentra ligeramente debajo de la superficie de deslizamiento del cartucho (4.3.2, fig. 1).
- Coloque el extremo largo del extractor atrás en la ranura del mismo en la corredera y empuje ligeramente el extractor con el pulgar de la otra mano contra la corredera.
- Presione hacia dentro el seguro del percutor hasta que quede alineado con la superficie de la corredera, mientras coloca el perno del extractor desde arriba. Presione el extractor con el pulgar y asegúrese de que los agujeros estén alineados al insertar el pasador.
- Coloque la placa de recubrimiento o la mira reflex siguiendo las instrucciones de la sección 5.4.3.

### 4.4 Cargador

#### 4.4.1 Desmontaje



### ATENCIÓN

Utilice siempre protección ocular adecuada al desmontar el cargador. Proceda con mucho cuidado al desmontar el cargador. El muelle del cargador está sometido a una elevada presión. Vigile el retén de la tapa inferior y el muelle mientras desmonta esta última, ya que pueden salir despedidos y causar lesiones.

1. Utilice un punzón de 4 mm para presionar el retén de la tapa inferior a través del orificio de ésta (4.4.1 Fig. 1).

+2 Cargador:

Deslice la base del cargador completamente hacia atrás hasta su tope en la caja del cargador. Introduzca la punta roma de un destornillador en el orificio del retén de la base del cargador, en la parte posterior del cargador. Deslice el retén de la base del cargador en dirección de los labios del cargador hasta que salte el retén (4.4.1 Fig. 2).

2. Deslice la tapa inferior hacia adelante y extráigala del cuerpo del cargador mientras mantiene presionado el retén de la tapa.
3. Saque el retén de la tapa y el muelle del cuerpo del cargador con mucho cuidado a través de la parte inferior del cargador.
4. Coloque el cuerpo con la parte derecha hacia arriba y extraiga el elevador a través de la parte inferior del cuerpo.



4.4.1 Fig. 1



4.4.1 Fig. 2

### 4.4.2 Montaje

1. Monte de nuevo el elevador, el muelle del cargador y el retén de la tapa inferior en orden inverso en el cuerpo con la misma orientación que tenían antes de ser desmontados (4.4.2 Fig. 1 y 2). No aplique una fuerza excesiva al montar el cargador.



4.4.2 Fig. 1

2. Mientras presiona el retén de la tapa inferior en el cuerpo, deslice la tapa en el cuerpo de modo que la prominencia redondeada de ésta encaje en el orificio de la tapa. En ese momento podrá oír un clic característico.

+2 Cargador:

Desde afuera, ponga el extremo posterior del retén de la base del cargador contra la pared posterior del cargador, mientras que mantiene presionado el retén de la base del cargador en el cargador. Deslice la base del cargador desde la parte delantera hasta el tope. Presione el extremo posterior del retén de la base del cargador en el cargador para que encaje en posición.



4.4.2 Fig. 2

## 4.5 Limpieza de la pistola



### ATENCIÓN

Esta arma de fuego es un instrumento de precisión. Para garantizar un funcionamiento óptimo es necesario seguir un procedimiento de mantenimiento rutinario. Asegúrese de que el arma está descargada (el cargador se ha extraído de la pistola y la recámara está vacía) y el cargador está vacío.

Es conveniente limpiar la pistola tras cada uso o en aquellos casos en los que haya quedado expuesta a condiciones climáticas extremas. Además, antes de usarla por primera vez, es recomendable limpiar el arma. A fin de protegerla contra la corrosión, el arma ha sido tratada con un conservante o aceite. Antes de utilizarla, es necesario eliminar todo el exceso de aceite del ánima, la recámara y las áreas expuestas usando un paño limpio.

Desmonte la pistola. Partiendo del extremo de la recámara, cepille el ánima del cañón y la recámara con un disolvente para pólvora y un cepillo adecuado. Elimine el plomo y los residuos de los disparos del interior del cañón con un cepillo de latón hasta que el ánima y la recámara queden completamente limpios. Limpie el arma con un paño. Utilizando un cepillo pequeño mojado en disolvente, elimine todos los restos de los alrededores del cañón, la recámara, el extractor y las zonas adyacentes que hayan estado expuestas a la acción de la pólvora o al residuo del fulminante. Elimine todos los residuos del armazón con un cepillado ligero y disolvente. Una vez finalizada la limpieza, aplique una ligera capa de aceite para armas de gran calidad a todas las superficies metálicas externas y frote bien hasta limpiarlas. Si tiene previsto usar o guardar el arma en un clima frío, recuerde que debe utilizar un aceite que no se congele a bajas temperaturas.

## 4.6 Lubricación

Tras limpiar toda la pistola, utilice un paño para aplicar una capa fina de aceite de gran calidad para armas a todas las superficies metálicas externas y frote hasta limpiarlas.

No lubrique la pistola hasta el extremo de que el aceite llegue a gotear o chorrear, ya que en el exceso de lubricante pueden quedar atrapadas grandes cantidades de suciedad, pólvora no quemada y residuos que pueden entorpecer el correcto funcionamiento del arma. Recuerde que en ningún caso debe entrar aceite en el canal del percutor (4.6 Fig. 1).



### PRECAUCIÓN

Siga siempre las instrucciones incluidas con el limpiador y el lubricante de armas. Algunos limpiadores pueden causar daños a la pistola. No introduzca la pistola en disolvente ni la limpie por medios ultrasónicos durante periodos de tiempo prolongados (la temperatura máxima para limpiezas ultrasónicas es de 50 °C). Utilice únicamente disolventes diseñados específicamente para el mantenimiento de armas de fuego. Si no se tienen en cuenta estas precauciones, el acabado del arma puede resultar dañado. No se deben usar disolventes amoniacados ni otros disolventes alcalinos fuertes con armas WALTHER.

# PDP PISTOLS

## 4 DESMONTAJE, LIMPIEZA, LUBRICACIÓN Y MANTENIMIENTO

- **Cañón:**

Aplique con un paño una capa ligera de aceite de alta calidad a todas las superficies externas y a la rampa donde el conjunto de bloqueo eleva el cañón.

- **Armazón:**

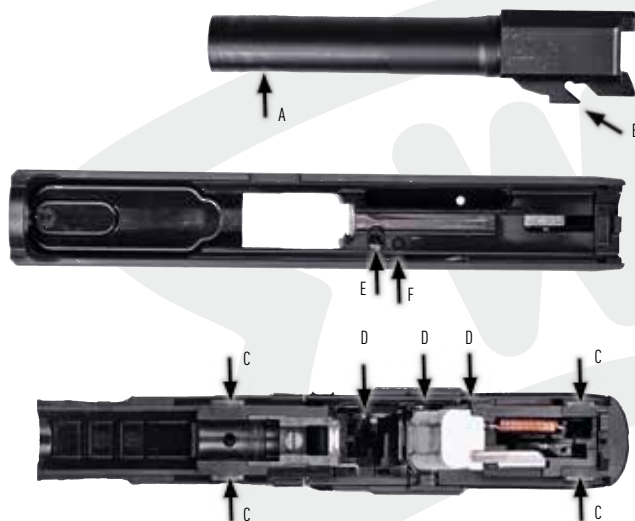
Es conveniente aplicar una capa fina de aceite de gran calidad para armas al mecanismo. Ponga sólo una gota de aceite en las guías de la corredera y en la barra del gatillo.

- **Corredera:**

Ponga sólo una gota de aceite en los puntos marcados en la figura.

- **Cargador:**

Aplique una capa ligera de aceite de alta calidad para armas a todas las superficies metálicas externas.



4.6 Fig. 1

### 4.7 Mantenimiento antes del almacenamiento

Debe cumplir en todo momento la normativa referente al almacenamiento de armas de fuego. Por ello, es obligatorio que conozca toda la legislación local, regional y nacional relativa al almacenamiento seguro de armas de fuego y munición. Al almacenar el arma, no la guarde en un lugar que pueda atraer o retener la humedad como, por ejemplo, cuero o tejidos gruesos. Si va a almacenar el arma durante un periodo prolongado, es recomendable engrasar el ánima, la recámara y el mecanismo interno con un aceite lubricante de alta calidad o un conservante para armas de fuego. Debe aplicarse una capa de aceite anticorrosión a los mecanismos externos, la corredera, el cañón y el cargador. Antes de usar el arma de nuevo, no olvide limpiarla. Cada vez que limpie el arma compruebe si hay señales de desgaste. De ser así, no utilice el arma. Envíela a WALTHER para que sea reparada o llévela a un armero cualificado para que la revise.

## 5 ADAPTACIÓN DE LA PISTOLA AL USUARIO

### 5.1 Retén del cargador

El retén del cargador se puede adaptar tanto a tiradores diestros como zurdos. Para este ajuste se requiere un botador de 1 mm y un destornillador pequeño (2,5 mm aprox.).

1. Mantenga presionado el retén del cargador. Su extremo opuesto sale de la empuñadura y deja libre un agujero pequeño en la parte posterior. Introduzca un botador de 1 mm en el agujero (5.1 Fig. 1).
2. Presione el botador en el agujero. Esto hace que se suelte la unión rápida de la tapa en el retén del cargador (5.1 Fig. 2).
3. Levante la tapa con un destornillador y extráigala (5.1 Fig. 3). Si la tapa no se puede quitar, trate de levantar la tapa con el destornillador mientras presiona el botador en el agujero.
4. Extraiga el retén del cargador (5.1 Fig. 4) y el resorte desde el lado opuesto.
5. Coloque el resorte en el lado desde el cual se deberá manejar el retén del cargador (5.1 Fig. 5).
6. Introduzca el retén del cargador por el mismo lado que el resorte anteriormente (5.1 Fig. 6).
7. Mantenga presionado el retén del cargador mientras que coloca la tapa desde el lado opuesto. Presione la tapa en el retén del cargador hasta que la unión rápida ajuste haciendo clic (5.1 Fig. 7 y 8).



5.1. Fig.1



5.1. Fig. 2



5.1. Fig. 3



5.1. Fig. 4



5.1. Fig. 5



5.1. Fig. 6



5.1. Fig. 7



5.1. Fig. 8

## 5 ADAPTACIÓN DE LA PISTOLA AL USUARIO

### 5.2 Empuñadura

Si el lomo de la empuñadura montado en la pistola no se adapta con comodidad a su mano, puede instalar otro de forma y tamaño distintos. Para ello, extraiga el pasador de la parte inferior del lomo utilizando un punzón (4 mm), cambie el lomo por uno que le resulte más cómodo y vuelva a colocar el pasador (5.2 Fig. 1).



5.2 Fig. 1

### 5.3 Orificio para correa

La parte inferior del lomo presenta un orificio para insertar una correa. El pasador que se utiliza para sujetar el lomo forma, junto con el hueco del mismo, un orificio destinado a una correa.

Para colocar la correa, saque el pasador de la parte inferior del lomo con un punzón de 4 mm, introduzca la correa y, a continuación, vuelva a colocar el pasador.

### 5.4 Miras

El punto de mira y el alza son sustituibles. El punto de impacto se puede ajustar lateralmente y en altura. Cuidado Antes de realizar cualquier modificación, asegúrese de que la pistola y el cargador estén descargados.



## ¡ATENCIÓN!

Al retirar el alza, asegúrese de sostener bien el perno de retención para que no salga despedido.

Desmonte la pistola como se describe en el capítulo 4.1.1.

### 5.4.1 Miras de polímero

#### PUNTO DE MIRA

Retire el tornillo de la parte inferior del punto de mira. Empuje hacia arriba para extraer el punto de mira. El montaje se efectúa en orden inverso. Enrosque el tornillo del punto de mira hasta que quede a ras (5.4.1 fig. 1).



5.4.1 Fig. 1

#### ALZA

En caso de tiro alto, gire el tornillo de ajuste trasero en sentido horario; en caso de tiro bajo, gire el tornillo en sentido antihorario. Con un clic de ajuste se desplaza el punto de impacto unos 2 cm a una distancia de 25 m. En caso de tiro a la izquierda, gire el tornillo de ajuste delantero del alza en sentido horario; en caso de tiro a la derecha gire el tornillo en sentido antihorario. Con un clic de ajuste se desplaza el punto de impacto 1 cm aproximadamente a una distancia de 25 m (5.4.1 fig. 2).



5.4.1 Fig. 2

## 5 ADAPTACIÓN DE LA PISTOLA AL USUARIO



### 5.4.2 Miras de acero

#### AJUSTE DE LA ALTURA

Desenrosque el tornillo del punto de mira y empuje hacia arriba para extraer el punto de mira. El montaje se efectúa en orden inverso (5.4.2 fig. 1). Asegúrese de que el tornillo y la rosca en el interior del punto de mira estén libres de aceite o grasa.

Asegure la rosca del tornillo del punto de mira con un pegamento industrial (p. ej., Loctite 648). Aplique un par de 1 Nm para apretar el tornillo del punto de mira.

#### AJUSTE LATERAL

Para realizar el ajuste lateral, use la herramienta de ajuste del alza (accesorio especial) para desplazar el alza de un lado al otro.

El ajuste se realiza moviendo el alza en la dirección a la que desea desplazar el impacto. Por ejemplo: si el impacto debe localizarse a la derecha, desplace el alza hacia la derecha.



5.4.2 Fig. 1

EN

DE

FR

ES

IT

### 5.4.3 Sustitución de la placa de montaje

Una variedad de placas de montaje para diferentes miras reflex están disponibles como accesorios. Estas placas permiten el montaje de miras de las marcas Trijicon (02), Leupold (04) y Docter/Vortex (06) de una longitud total máxima de 49 mm. Las placas de montaje están etiquetadas de la manera correspondiente.

Para instalar la placa de montaje adecuada, desmonte la pistola como se indica en el capítulo 4.1.1. Suelte los dos tornillos con el destornillador (T10, 5.4.4 fig. 1) y retire la placa de montaje de la corredera.



5.4.3 Fig. 1



5.4.3 Fig. 2



**NOTA:** No confunda los tornillos con los tornillos adjuntos a otras miras. Los tornillos cuentan con una rosca métrica M3x6 (5.4.3 fig. 2). La rosca de estos tornillos está provista de un seguro de tornillos de color azul.

Coloque la nueva placa de montaje sobre la corredera. Tire de la placa de montaje en dirección del tope delantero (hacia el extremo de la boca de la corredera) mientras aprieta los tornillos (5.4.3 fig. 3).

Apriete los dos tornillos hexagonales (aplique un par de 2 Nm). Ahora podrá montar la mira de recambio siguiendo las instrucciones suministradas (5.4.3 fig. 4).



5.4.3 Fig. 3



**NOTA:** Procure que los tornillos de fijación tienen la longitud correcta para asegurar que los accesorios estén bien asentados. Asegure los tornillos con pegamento industrial (por ejemplo, Loctite 648) para evitar que se aflojen involuntariamente. Las placas de montaje disponibles actualmente se pueden encontrar en nuestra página web.

Antes de disparar, asegúrese de que los accesorios estén firmemente asentados.

Disparar sin la placa de cubierta o la base de montaje puede provocar la pérdida del pasador del extractor y del extractor.



5.4.3 Fig. 4



## 6 ESPECIFICACIONES TÉCNICAS

### 6 ESPECIFICACIONES TÉCNICAS PDP COMPACT

	PDP Compact		
Calibre	9mm x 19		
Capacidad del cargador	15 cartuchos		
Modelo	4"	4,5"	5"
Longitud del cañón *	102	115	127
Dimensiones totales, (largo/anchura/alto) *	184 / 34 / 135	197 / 34 / 135	210 / 34 / 135
Peso, pistola con cargador vacío	685 g	700 g	735 g
Radio de miras	163	176	188
Ancho, del alza / del punto de mira	3,7 mm / 3,7 mm		
Energía en la boca del cañón E3 [J]. Peso de la bala [g]	500 J 8 g		
Paso de estrias / Perfil del cañón	Polígono, 250 mm, estriado a la derecha		
Mecanismo de operación	Disparo a cerrojo cerrado con principio de retroceso corto		
Sistema	Pistola disparada por percutor (sin martillo)		
Acción del gatillo	Performance Duty Trigger (PDT)		
Fuerza/Recorrido del gatillo	25 N / 9 mm (idéntico para todos los disparos)		
Lanzamiento de revista	para diestro o zurdo		
Tamaño del mango, personalizable	Lomo S/M/L		
Opciones de vista réflex (modelo OR)	49 mm, p.ej. Docter/Vortex, Leupold, Trijicon		
Seguro	Desconector, seguro del gatillo y del percutor		
Materiales	Corredera y cañón: acero al carbono tratado con Tenifer® Armazón: polímero de alta resistencia		

\*El cañón y la longitud total de las pistolas con cañón roscado son 15 mm (0,6") más largos que los mencionados anteriormente. El roscado del cañón es de 1/2"-28 UNEF.

Datos basados en cifras promedio. Los valores reales pueden variar.  
Tenifer® is a registered trademark of Durferrit GmbH, Germany.

### 6 ESPECIFICACIONES TÉCNICAS PDP FULL SIZE

	PDP Full Size		
Calibre	9mm x 19		
Capacidad del cargador	18 cartuchos		
Modelo	4"	4,5"	5"
Longitud del cañón *	102	115	127
Dimensiones totales, (largo/anchura/alto) *	184 / 34 / 143	197 / 34 / 143	210 / 34 / 143
Peso, pistola con cargador vacío	695 g	715 g	740 g
Radio de miras	163	176	188
Ancho, del alza / del punto de mira	3,7 mm / 3,7 mm		
Energía en la boca del cañón E3 [J]. Peso de la bala [g]	500 J 8 g		
Paso de estrias / Perfil del cañón	Polígono, 250 mm, estriado a la derecha		
Mecanismo de operación	Disparo a cerrojo cerrado con principio de retroceso corto		
Sistema	Pistola disparada por percutor (sin martillo)		
Acción del gatillo	Performance Duty Trigger (PDT)		
Fuerza/Recorrido del gatillo	25 N / 9 mm (idéntico para todos los disparos)		
Lanzamiento de revista	para diestro o zurdo		
Tamaño del mango, personalizable	Lomo S/M/L		
Opciones de vista rélfex (modelo OR)	49 mm, p.ej. Docter/Vortex, Leupold, Trijicon		
Seguro	Desconector, seguro del gatillo y del percutor		
Materiales	Corredera y cañón: acero al carbono tratado con Tenifer® Armazón: polímero de alta resistencia		

\*El cañón y la longitud total de las pistolas con cañón roscado son 15 mm (0,6") más largos que los mencionados anteriormente. El roscado del cañón es de 1/2"-28 UNEF.

Datos basados en cifras promedio. Los valores reales pueden variar.

Tenifer® is a registered trademark of Durferrit GmbH, Germany.



ISTRUZIONI PER L'USO

# PDP PISTOLS

EN

DE

FR

ES

IT



PRIMA DI USARE L'ARMA DA FUOCO LEGGERE ACCURATAMENTE LE ISTRUZIONI E LE AVVERTENZE QUI RIPORTATE.

**NOTA:**

Il presente manuale si riferisce all'utilizzo della pistola da parte di civili. Le istruzioni per l'uso da parte delle forze dell'ordine possono differire da quanto descritto nel presente manuale.

Nel presente manuale, le designazioni di posizioni quali «sinistra», «destra», «avanti», «dietro», ecc., sono riferite alla pistola tenuta in posizione di sparo normale. In altre parole, puntata lontano dal tiratore, con la canna generalmente in direzione orizzontale e con l'impugnatura della pistola rivolta verso il basso.

Le spiegazioni contenute nel presente manuale si basano sull'utilizzo della pistola con la mano destra. Gli utilizzatori mancini dovranno operare al contrario.

**Tenete sempre presente:** Le figure contenute nel presente manuale hanno lo scopo di illustrare le modalità d'uso e possono differire dalle armi reali.

## INDICE

<b>1</b>	<b>Norme di sicurezza</b>	<b>4</b>
<b>2</b>	<b>Descrizione del prodotto</b>	<b>5</b>
2.1	Descrizione funzionale	5
2.2	Munizioni	6
2.4	Elementi funzionali	7
<b>3</b>	<b>Uso della pistola</b>	<b>10</b>
3.1	Controllo della pistola	10
3.2	Caricamento	11
3.3	Sparare	12
3.4	Sostituzione del caricatore	13
3.5	Scaricamento della pistola	13
3.6	Procedura in caso di sparo fallito	14
<b>4</b>	<b>Smontaggio, pulizia, lubrificazione e manutenzione</b>	<b>15</b>
4.1	Componenti principali	15
4.2	Gruppo percussore	16
4.3	Estrattore	17
4.4	Caricatore	18
4.5	Pulizia	20
4.6	Lubrificazione	21
4.7	Preparazione per la conservazione	22
<b>5</b>	<b>Regolazione della pistola secondo le esigenze dell'utilizzatore</b>	<b>23</b>
5.1	Ritegno del caricatore	23
5.2	Impugnatura	24
5.3	Anello portacorreggiolo	24
5.4	Dispositivi di mira	24
<b>6</b>	<b>Specifiche tecniche</b>	<b>27</b>

### 1 NORME DI SICUREZZA

- Prima di utilizzare la pistola, leggere attentamente le presenti istruzioni, che ne descrivono il funzionamento e le modalità d'uso. Ogni spiegazione relativa alle parti componenti della pistola e al suo funzionamento normalmente, nel presente manuale, è menzionata una sola volta. Per maggiori dettagli, sono comunque riportate indicazioni di riferimento a capitoli precedenti.
- Prima di fare il controllo di sicurezza e prima di sparare, come pure in caso di malfunzionamenti e prima di procedere alla pulizia, bisogna accertarsi sempre che l'arma sia scarica (caricatore rimosso dalla pistola e camera di cartuccia libera), che la canna sia pulita e non presenti ostruzioni di alcun genere, e che il caricatore sia vuoto.
- Conservare la pistola e munizioni in luoghi separati e sicuri ai quali non devono avere accesso le persone non autorizzate, in particolare i bambini.
- Anche se è scarica, trattare sempre l'arma come se fosse carica. Maneggiare sempre la pistola in modo da non creare pericolo per sé e per le persone vicine. Puntare sempre la pistola in una direzione sicura. Non puntare mai l'arma contro persone od oggetti se non si intende sparare, indipendentemente dal fatto che sia carica o meno.
- Attenzione: tenere sempre il dito lontano dal grilletto finché non si è pronti a sparare. In generale, il dito deve essere mantenuto all'esterno del guardavano. Il grilletto deve essere azionato se la pistola è puntata su un bersaglio.
- Non esercitare mai forza durante l'utilizzo, il controllo, lo smontaggio, la pulizia o il montaggio della pistola. Il maneggio non corretto pregiudicherà la funzionalità e la sicurezza della pistola. Non smontare mai l'arma in misura superiore a quanto descritto nel presente manuale.
- La sicurezza ed il corretto funzionamento sono garantiti soltanto se la pistola e le munizioni sono in perfette condizioni d'esercizio.
- Far controllare la pistola da un armaiolo qualificato se si sospetta che possa essere stata danneggiata, ad esempio se è caduta, oppure se presenta delle tracce di corrosione, ecc.
- Indossare sempre occhiali e cuffie di protezione adeguati e specifici per l'uso con armi da fuoco. Accertarsi che anche le persone che si trovano nelle vicinanze indossino gli stessi dispositivi di protezione.
- L'arma è stata progettata per l'uso con munizioni di tipo e calibro specifico. Il calibro corretto è indicato sull'arma. Usare esclusivamente le munizioni corrispondenti al calibro dell'arma e alle prescrizioni della Commission Internationale Permanente pour l'Epreuve des Armes à Feu portatives (C.I.P.) o dello Sporting Arms and Ammunition Manufacturers' Institute (SAAMI). Se vengono utilizzate delle munizioni ricaricate, non superare la pressione del gas/della camera di cartuccia ammessa secondo le norme C.I.P. o SAAMI. Una pressione eccessiva può danneggiare l'arma e persino causare un'esplosione. Le munizioni con velocità di espulsione e pressioni superiori a quelle per le quali la pistola è stata progettata espongono l'arma a una sollecitazione supplementare che può danneggiarla gravemente.
- Prima di caricare la pistola, eliminare sempre il grasso od olio in eccesso e accertarsi che la canna sia pulita e non presenti ostruzioni di alcun genere.

## 2 DESCRIZIONE DEL PRODOTTO

- Non alterare, modificare o sostituire alcuna parte dell'arma in misura superiore a quanto descritto nel presente manuale. Gli interventi di manutenzione o assistenza non specificati devono essere eseguiti da un armaiolo qualificato utilizzando componenti WALTHER originali.
- Interventi non appropriati o non autorizzati sui componenti possono pregiudicare la sicurezza e l'affidabilità della pistola, causando ferite gravi e addirittura la morte.

EN
DE
FR
ES
<b>IT</b>

### ESCLUSIONE DELLA RESPONSABILITÀ

Durante l'uso di un'arma da fuoco la massima precauzione è indispensabile. La mancata precauzione può causare, pur involontariamente, danni materiali gravi, lesioni personali o anche il decesso. WALTHER declina qualsiasi responsabilità a fronte di danni imputabili all'uso improprio della pistola o all'inosservanza delle vigenti norme di legge. Quanto predetto vale anche a fronte di danni imputabili alla mancata osservanza delle presenti istruzioni per l'uso, alla sostituzione non autorizzata di componenti, o a qualsiasi intervento sulla pistola non espressamente previsto dalle presenti istruzioni per l'uso.

## 2 DESCRIZIONE DEL PRODOTTO

### 2.1 Descrizione funzionale

La pistola semi-automatica WALTHER pistola con sistema di chiusura geometrica a blocco utilizza il funzionamento a corto rinculo di canna. Tirando il grilletto, il percussore viene rilasciato e viene sparato il colpo. La pressione del gas spinge il proiettile fuori dalla canna. L'impulso risultante provoca un movimento all'indietro della canna e dell'otturatore. La canna e l'otturatore arretrano assieme per un breve tratto, finché la canna non viene sbloccata dall'otturatore mediante l'azione a camme in cui la parte posteriore della canna viene tirata verso il basso e bloccata. L'otturatore continua il movimento all'indietro, estraendo il bossolo dalla camera di cartuccia ed espellendolo verso destra. Quando ha raggiunto il suo limite di corsa, l'otturatore viene spinto nuovamente in avanti dalla molla di recupero, sfilando dal caricatore una nuova cartuccia e la introduce nella camera. Questo spinge la camera di cartuccia e la canna in avanti e verso l'alto, dove si blocca carrello-otturatore. Lasciare che il grilletto si muova in avanti. Adesso la pistola è pronta per sparare un altro colpo.

### 2.2 Munizioni

#### **AVVERTENZA**

Utilizzare esclusivamente le munizioni specificamente previste per questa pistola. Il mancato utilizzo del tipo o calibro corretto di munizioni può causare malfunzionamenti, impossibilità di sparare oppure, a causa di una pressione eccessiva del gas, danneggiare o distruggere la pistola, provocando lesioni personali, morte oppure danni materiali.

Individuare l'indicazione del calibro marcata sulla pistola. Questa informazione indica il calibro delle munizioni che devono essere utilizzate in quest'arma (vedere 2.3. Fig. 1). Usare soltanto munizioni corrispondenti al calibro della pistola e che siano conformi alle disposizioni di C.I.P. o SAAMI, oppure certificate secondo la "Technische Richtlinien Patrone 9mm x 19 schadstoffreduziert" (direttiva tecnica per cartucce 9mm x 19 con impatto ambientale ridotto). Controllare le munizioni prima dell'utilizzo. Usare soltanto

munizioni in condizione perfetta. La pistola e le munizioni costituiscono un insieme e devono adattarsi reciprocamente. La loro affidabilità dipende da ciascuno dei componenti. Le diverse combinazioni formate dalla velocità di espulsione, dal peso del proiettile e dal peso dell'arma influiscono sul rinculo avvertito al momento dello sparo. Un rinculo eccessivo della pistola potrebbe risultare fastidioso per alcuni tiratori.



2.2 Fig. 1

#### **Esempi:**

- Peso dell'arma: un peso ridotto produce un rinculo più intenso.
- Peso dei proiettili: più il proiettile è pesante, più il rinculo è intenso.
- Velocità di espulsione: una maggiore velocità di espulsione amplifica il rinculo.

#### **Per abituarsi a un rinculo più intenso, si possono adottare i seguenti accorgimenti:**

- Tenere la pistola con due mani al momento del tiro.
- Cominciare a sparare con le munizioni caratterizzate da velocità di espulsione inferiore e da un peso più basso, fra quelle adatte per la pistola.
- Farsi consigliare da uno specialista sulle munizioni più deboli, la velocità di espulsione inferiore e il peso del proiettile più leggero adatti per la pistola.
- Modificare eventualmente la configurazione/composizione dell'impugnatura della pistola per adattarla alle proprie esigenze specifiche.



## 2 DESCRIZIONE DEL PRODOTTO

### 2.3 Elementi funzionali



**copri filetto**

- |   |  |    |                                    |
|---|--|----|------------------------------------|
| 1 | Carrello-otturatore                    | 10 | Anello portacorreggiolo            |
| 2 | Mirino                                 | 11 | Caricatore                         |
| 3 | Sicura del carrello                    | 12 | Impugnatura                        |
| 4 | Canna                                  | 13 | Ritegno del caricatore, rimovibile |
| 5 | Fermo leva arresto carrello-otturatore | 14 | Grilletto                          |
| 6 | Scanalature trasversali                | 15 | Guardia del grilletto              |
| 7 | Leva arresto carrello-otturatore       | 16 | Fusto                              |
| 8 | Tacca di mira                          | 17 | Guida di montaggio                 |
| 9 | Dorsalino dell'impugnatura             | 18 | Designazione del modello           |

EN  
DE  
FR  
ES  
**IT**

La figura illustra la pistola con otturatore aperto.



### 2.3.1. Indicatore di carica

L'estrattore funge anche da indicatore di caricamento. Se la parte posteriore dell'estrattore è incassata, ciò significa che una cartuccia/ un bossolo si trova nella camera di cartuccia. L'indicatore assume la forma di una marcatura rossa (2.3.1. Fig. 1).



## ATTENZIONE

Non fidarsi esclusivamente del sistema d'indicazione della carica per verificare la presenza o meno di un colpo nella camera. Il metodo di controllo più affidabile è guardare dentro la camera. A questo scopo, togliere il caricatore, estrarre il carrello-otturatore fino all'arresto e bloccarlo nella posizione "aperta". Maneggiare sempre l'arma come se fosse carica. L'indicatore di carica permette di sapere se nella camera di cartuccia è alloggiata una cartuccia o meno, ma vi sono alcuni fattori, come la luce, l'imbrattamento della pistola, macchie della munizione e altri fattori che possono limitare l'efficacia dell'indicatore di carica.

## 2 DESCRIZIONE DEL PRODOTTO

### 2.3.2 Ritegno del caricatore

Il ritegno del caricatore è situato lateralmente, sull'impugnatura.

#### Utilizzo:

Le dita devono trovarsi all'esterno della guardia e lontane dal grilletto. Premere il ritegno e rimuovere il caricatore (2.3.1 Fig. 1).



2.3.2 Fig. 1

### 2.3.3 Leva arresto carrello-otturatore

#### Blocco del carrello-otturatore in posizione "aperta":

Afferrare la pistola tenendo le dita lontane dal grilletto e all'esterno della guardia. Premere il ritegno del caricatore e rimuovere il caricatore. Tenendo ferma la pistola, afferrare l'otturatore da dietro sulle scanalature e arretrarlo completamente con un movimento rapido per estrarre un'eventuale cartuccia dalla camera di cartuccia ed espellerla dalla pistola. Per bloccare il carrello-otturatore in posizione aperta, far avanzare leggermente l'otturatore dalla posizione più arretrata premendo contemporaneamente verso l'alto la leva arresto carrello-otturatore (2.3.3 Fig. 1).



2.3.3 Fig. 1

#### Rilascio della leva arresto carrello-otturatore:

Premere la leva arresto carrello-otturatore con il pollice della mano che impugna l'arma per rilasciare l'otturatore e farlo avanzare completamente.

Per un funzionamento più agevole della leva arresto carrello-otturatore, afferrare da dietro i lati scanalati e tirare l'otturatore all'indietro premendo contemporaneamente la leva arresto carrello-otturatore per rilasciare l'otturatore e farlo avanzare completamente.

### 2.3.4 Caricatore

Attraverso le aperture previste nel corpo del caricatore è possibile verificare lo stato di caricamento (2.3.4 Fig. 1).



2.3.4 Fig. 1

EN

DE

FR

ES

IT

### 3 USO DELLA PISTOLA

#### 3.1 Controllo della pistola

- Prima del controllo è necessario accertarsi che la vostra pistola sia scarica. Puntare la pistola in una direzione sicura. Le dita devono trovarsi all'esterno della guardia e lontane dal grilletto. Agite premendo sul ritegno del caricatore e rimuovete il caricatore (3.1 Fig. 1).
- Afferrare con le dita il carrello-otturatore nella parte posteriore sulle scanalature trasversali come illustrato in 3.1 Fig. 2, e tirarlo indietro energicamente fino all'arresto. Se nella camera c'è una cartuccia, essa verrà estratta dalla camera ed espulsa. Non coprire la finestra di espulsione, altrimenti la cartuccia non può essere espulsa come previsto.
- Bloccare il carrello-otturatore in posizione aperta. Mantenendo l'otturatore nella posizione più arretrata, spingere la leva di arresto carrello-otturatore verso l'alto e far avanzare lentamente l'otturatore finché non viene trattenuto dalla leva (3.1 Fig. 3).
- Accertarsi che la camera di cartuccia sia scarica e controllare visivamente la canna per verificare che sia pulita, asciutta e priva di ostruzioni (3.1 Fig. 4).

Effettuare sempre questo controllo prima di deporre la pistola, di pulirla, di consegnarla a un'altra persona, di trasportarla o di riportarla.



3.1 Fig. 1



3.1 Fig. 2



3.1 Fig. 3



3.1 Fig. 4

### **ATTENZIONE**

Non fidarsi mai esclusivamente della tecnica. È responsabilità dell'utilizzatore maneggiare sempre l'arma con la massima cautela, per garantire la propria e altrui sicurezza.

## 3 USO DELLA PISTOLA

### 3.2 Caricamento

#### 3.2.1 Caricatore del caricatore

Quando il caricatore viene rimosso dal suo alloggiamento all'interno dell'impugnatura della pistola, attraverso i fori è possibile verificare il numero di colpi.



3.2.1 Fig. 1



#### Nota:

Usa solo caricatori adatti per la sua pistola. Altri caricatori possono causare malfunzionamento oppure danneggiamenti alla pistola e al caricatore.



### ATTENZIONE

Non tentare mai di inserire più cartucce di quanto specificato, perché ciò potrebbe causare malfunzionamenti nell'alimentazione. Non esercitare forza, per non danneggiare il caricatore. Un caricatore/ i labbri del caricatore difettosi causano malfunzionamenti, rendendo inutilizzabile la pistola.

Per inserire delle cartucce nel caricatore, spingere verso il basso la parte anteriore dell'alimentatore con il fondo della cartuccia e far scivolare la cartuccia sotto i labbri del caricatore finché il fondo della cartuccia non tocca la parete posteriore del caricatore (3.2.1 Fig. 2). Ripetere questa procedura per il numero di cartucce che si desiderano caricare.

#### Il caricamento può essere facilitato dal carica-caricatore WALTHER:

Inserire il carica-caricatore con la parete lunga orientata all'indietro nella parte superiore del caricatore (3.2.1 Fig. 3). Premere il carica-caricatore verso il basso e inserire una cartuccia con l'altra mano, facendola scivolare sotto i labbri del caricatore (3.2.1 Fig. 4). Sollevare lievemente il carica-caricatore e inserire completamente la cartuccia al di sotto dei labbri del caricatore (3.2.1 Fig. 5).



3.2.1 Fig. 2



3.2.1 Fig. 3



3.2.1 Fig. 4



3.2.1 Fig. 5

### 3.2.2 Caricamento della pistola

- Controllare la pistola come descritto nella sezione 3.1.
- Afferrare la pistola con le dita lontane dal grilletto e all'esterno della guardia, con il vivo di volata rivolto in una direzione sicura. Inserire il caricatore nel suo alloggiamento finché non si innesta. Per verificare che il caricatore sia innestato in modo sicuro, tirare verso il basso la parte esposta del fondo del caricatore: non deve muoversi.
- Tirare completamente all'indietro il carrello-otturatore; poi lasciare libero il carrello-otturatore che si sposterà velocemente in avanti.

### **⚠ ATTENZIONE**

Introdurre le cartucce nella camera di cartuccia soltanto con l'ausilio del caricatore. Non tentare mai di introdurre individualmente delle cartucce nella camera di cartuccia attraverso la finestra di espulsione: ciò potrebbe causare gravi ferite o persino la morte dell'utilizzatore della pistola o di altre persone.

### **⚠ AVVERTENZA**

Adesso la pistola è carica e pronta per sparare. La pistola e il caricatore sono caricati, e se viene premuto il grilletto l'arma sparerà. Rivolgere sempre il vivo di volata della pistola in una direzione sicura e tenere le dita lontane dal grilletto e all'esterno della guardia finché non si è pronti a sparare. Non lasciare mai incustodita un'arma carica.

### 3.3 Sparare

- Rivolgere il vivo di volata della pistola in una direzione sicura e tenere le dita lontane dal grilletto e all'esterno della guardia finché non si è pronti a sparare.
- Il modo in cui si impugna un'arma influisce sul controllo del grilletto e sul controllo del rinculo. La forma vantaggiosa dell'impugnatura della pistola offre un elevato livello di controllo che permette all'utilizzatore una presa estremamente alta.
- Afferrando saldamente l'impugnatura della pistola, sistemare le dita ad angolo retto sulla faccia del grilletto e muoverle lentamente, tirando il grilletto con forza crescente fino a far partire il colpo. Durante lo sparo, l'otturatore rincula ed espelle il bossolo. Infine, l'otturatore ritorna in avanti e introduce nella camera di cartuccia la cartuccia successiva del caricatore.
- Dopo lo sparo, lasciare tornare il grilletto completamente in avanti prima dello sparo successivo. Allontanare il dito dal grilletto e tenerlo all'esterno della guardia finché non si è pronti nuovamente a sparare. Questa procedura può essere ripetuta fino all'ultimo colpo.
- Dopo l'ultimo colpo, l'alimentatore del caricatore aziona la leva di arresto e il carrello-otturatore viene bloccato in posizione "aperta".

## 3 USO DELLA PISTOLA

### **⚠ AVVERTENZA**

Indossare cuffie antirumore e occhiali di protezione specifici per l'impiego con armi da fuoco. Al momento dello sparo o dell'azionamento della leva di arresto del carrello-otturatore, l'otturatore si sposta con grande velocità ed esercitando una forza considerevole. Per evitare lesioni, fare attenzione che nessuna parte del corpo si trovi sulla traiettoria dell'otturatore.

### 3.4 Sostituzione del caricatore

Una volta sparato l'ultimo colpo, l'alimentatore del caricatore esercita una pressione verso l'alto sulla leva arresto carrello-otturatore innestandola nell'apposito fermo e bloccando il carrello-otturatore in posizione "aperta".

- Premere il ritegno del caricatore e togliere il caricatore.
- Per continuare a sparare, inserire un altro caricatore.
- Tirare completamente indietro il carrello-otturatore, rilasciarlo e farlo tornare completamente in avanti.

### **⚠ AVVERTENZA**

La pistola è nuovamente pronta per sparare. Con la canna sempre rivolta in una direzione sicura, tenere il dito lontano dal grilletto e all'esterno della guardia finché non si è pronti a sparare.

### 3.5 Scaricamento della pistola

- Puntate la pistola in una direzione sicura. Le dita devono essere all'esterno della guardia e lontane dal grilletto. Agite premendo sul ritegno del caricatore e rimuovete il caricatore (3.5 Fig. 1).
- Afferrare con le dita il carrello-otturatore sulle scanalature trasversali (3.5 Fig. 2) e tirarlo energicamente all'indietro fino all'arresto. Se nella camera di cartuccia è alloggiata una cartuccia, essa verrà espulsa. Non coprire la finestra di espulsione, altrimenti la cartuccia non può essere espulsa come previsto.
- Bloccare il carrello-otturatore in posizione "aperta" in maniera che scivoli lentamente in avanti dalla sua posizione più arretrata spingendo verso l'alto la leva di arresto. (3.5 Fig. 3).



3.5 Fig. 1



3.5 Fig. 2



3.5 Fig. 3

# PDP PISTOLS

## 3 USO DELLA PISTOLA

- Ispezionare la camera di cartuccia per verificare che sia vuota (3.5 Fig. 4). Ispezionare l'alloggiamento del caricatore: nella pistola non devono più esserci munizioni.
- Per scaricare il caricatore, tenerlo in modo che i proiettili siano rivolti in direzione opposta. Spingere in avanti ogni cartuccia per farla uscire dal caricatore.



3.5 Fig. 4



### AVVERTENZA

Ogni qualvolta il carrello-otturatore viene chiuso mentre nella pistola c'è un caricatore carico, la pistola è di nuovo pronta a

sparare.

### 3.6 Procedura in caso di sparo fallito

- In caso di sparo fallito, attendere 10 secondi sempre mantenendo il vivo di volata della pistola rivolto in una direzione sicura.
- Scaricare la pistola come descritto nella sezione 3.5 "Scaricamento della pistola".
- A questo punto è possibile effettuare un controllo visivo della camera di cartuccia e della canna. La camera non deve contenere cartucce e la canna non deve presentare ostruzioni.



## 4 SMONTAGGIO, PULIZIA, LUBRIFICAZIONE E MANUTENZIONE

### **⚠ AVVERTENZA**

Prima di ogni intervento occorre accertarsi che la pistola ed il caricatore siano scarichi.

### 4.1 Componenti principali

### **⚠ ATTENZIONE**

Per completare lo smontaggio è necessario azionare il grilletto. Se non avete scaricato completamente la vostra pistola e se un proiettile è rimasto in camera, il colpo potrebbe partire e causare gravi ferite ovvero la morte a voi e ad altri, oltre a provocare danni materiali. Per questo motivo è indispensabile ispezionare attentamente la camera e il magazzino (aprendo entrambi) per assicurarvi che siano vuoti prima di azionare il grilletto.

#### 4.1.1 Smontaggio

- Togliere il caricatore e scaricare la pistola. Bloccare il carrello-otturatore in posizione aperta. Ispezionare la camera di cartuccia e l'alloggiamento del caricatore per verificare che non siano rimaste munizioni nella pistola.
- Chiudere il carrello-otturatore, tirandolo leggermente indietro e rilasciandolo poi lentamente per farlo tornare in posizione avanzata.
- Puntate la volata in una direzione sicura e disarmate il meccanismo percussore azionando il grilletto.
- Afferrare la sicura del carrello da sopra, su entrambi i lati, e premerlo verso il basso (4.1.1 Fig. 1).
- Avanzare il carrello-otturatore e toglierlo dal fusto.
- Rimuovere il gruppo guidamolla di recupero da sotto la canna, mantenendo la pressione della molla (4.1.1 Fig. 2).
- Togliere la canna dal carrello-otturatore.
- In 4.1.1 Fig. 3 sono illustrati i componenti principali della pistola.



4.1.1 Fig. 1



4.1.1 Fig. 2



4.1.1 Fig. 3

EN

DE

FR

ES

IT

# PDP PISTOLS

## 4 SMONTAGGIO, PULIZIA, LUBRIFICAZIONE E MANUTENZIONE

### 4.1.2 Rimontaggio

- Capovolgere il carrello-otturatore. Porre la canna all'interno dell'otturatore come illustrato in 4.1.2 Fig. 1.
- Inserire il gruppo guidamolla di recupero: Collocare l'estremità piccola (nera) dell'asta di guida nell'alloggiamento della molla davanti all'otturatore, poi inserire l'estremità grande in polimero della molla di recupero nella cavità inferiore della canna, mantenendo la pressione della molla (4.1.2 Fig. 1 e 2).



**NOTA:** È normale che il gruppo guidamolla di recupero si pieghi quando viene installato.

- Spingere l'otturatore dal davanti nelle guide del fusto (4.1.2 Fig. 3), in misura sufficiente ad innestare la sicura del carrello, accertandosi che l'otturatore si innesti anche nelle guide del fusto. Rilasciare l'otturatore e lasciarlo avanzare completamente in posizione bloccata.

### 4.2 Gruppo percussore

#### 4.2.1 Rimozione del gruppo percussore

- Smontare i componenti principali della pistola (sezione 4.1.1).
- Collocare l'otturatore con l'estremità della canna su una superficie liscia e piana. Afferrare l'otturatore sulle scanalature posteriori. Premere il perno nell'apertura quadrata situata in alto a destra nel tappo dell'otturatore usando un punzone da 2 mm (4.2.1 Fig. 1) e togliere il tappo dell'otturatore facendolo scorrere verso il basso. Togliere il tappo dall'otturatore tirandolo verso il basso (4.2.1 Fig. 2).
- Togliere il gruppo percussore dall'otturatore (4.2.1 Fig. 3).



4.1.2 Fig. 1



4.1.2 Fig. 2



4.2.1 Fig. 1



4.2.1 Fig. 2



4.2.1 Fig. 3

### 4.2.2 Montaggio del gruppo percussore

- Inserimento del gruppo percussore (4.2.2 Fig. 1).
- Usando il tappo dell'otturatore, premere il gruppo percussore nel carrello-otturatore e reinserire il tappo dell'otturatore da sotto finché non si innesta in posizione (vedere 4.2.1 Fig. 2).



4.2.2 Fig. 1



4.2.2 Fig. 2

### 4.3 Estrattore



**NOTA:** Il gruppo sicura sul percussore può essere smontato soltanto dopo avere tolto il percussore dall'otturatore. Per procedere allo smontaggio del percussore, attenersi alla descrizione riportata nella sezione 4.2.

Sparare senza piastra di copertura o base di montaggio può portare alla perdita il perno dell'estrattore e dell'estrattore.

#### 4.3.1 Rimozione dell'estrattore



### ATTENZIONE

Indossare occhiali di protezione. L'asse estrattore e il gruppo sicura sul percussore sono precaricati a molla. Al momento dello smontaggio dell'estrattore questi pezzi potrebbero venire espulsi.

#### Modelli PDP OR

- Rimuovere la piastra di chiusura o la visiera reflex e la piastra adattatore; vedi paragrafo 5.4.3.
- Tenere l'otturatore con il dispositivo di mira rivolto verso il basso. Far scivolare fuori il perno dell'estrattore con l'ausilio di un punteruolo da 2 mm (4.3.1 Fig. 1).
- Coprendo la sicura del percussore con un dito, togliere l'estrattore. Togliere ora la sicura del percussore dall'otturatore (4.3.1 Fig. 3).
- Non rimuovere dal carrello-otturatore la molla a compressione dell'estrattore. Un avvolgimento terminale esteso garantisce una sede sicura per questa molla.



4.3.1 Fig. 1

# PDP PISTOLS

## 4 SMONTAGGIO, PULIZIA, LUBRIFICAZIONE E MANUTENZIONE

### PDP con dispositivo di mira aperto

- Appoggiare il carrello-otturatore con il dispositivo di mira rivolto verso il basso e la canna orientata verso sinistra.
- Premere l'asse estrattore nell'otturatore contro la forza della molla con un punzone da 2 mm (4.3.1 Fig. 1) finché l'asse estrattore non fuoriesce. Togliere il punzone.
- Coprendo la sicura del percussore e l'asse estrattore con un dito, togliere l'estrattore. Togliere ora la sicura del percussore e l'estrattore dall'otturatore (4.3.1 Fig. 2).
- Non rimuovere dal carrello-otturatore la molla a compressione dell'estrattore. Un avvolgimento terminale esteso garantisce una sede sicura per questa molla.



4.3.1 Fig. 2



4.3.1 Fig. 3

### 4.3.2 Installazione dell'estrattore

#### PDP con dispositivo di mira aperto

- Appoggiare l'otturatore con il dispositivo di mira rivolto verso il basso e la canna orientata verso sinistra.
- Inserire l'asse estrattore con la molla.
- Bloccare la molla a compressione nel foro della sicura del percussore affinché non fuoriesca, applicando un po' di olio per armi (non grasso!) sulla molla, prima di inserire la molla nel foro della sicura del percussore. Inserire la sicura del percussore con la sua molla nel carrello-otturatore. La molla di pressione della sicura deve entrare a fondo nella cavità appositamente praticata nell'otturatore. La sicura correttamente posizionata viene a trovarsi leggermente al di appena sopra della superficie di scorrimento della cartuccia (4.3.2 Fig. 1).
- Collocare l'estremità lunga dell'estrattore dietro sulraggio della fessura dell'estrattore nell'otturatore e con il pollice dell'altra mano premere l'estrattore contro l'asse estrattore nell'otturatore. Premere l'asse estrattore verso il basso con un punzone da 2 mm, spingendo contemporaneamente l'estrattore al centro dell'otturatore. L'occhiello dell'estrattore tiene ora fermo l'asse estrattore e il punzone può essere rimosso (4.3.2 Fig. 2).



4.3.1 Fig. 4



4.3.2 Fig. 1



4.3.2 Fig. 2

- Premere la sicura del percussore verso l'interno, finché non è filo con la superficie dell'otturatore. Al contempo premere l'estrattore con il pollice finché l'asse non si innesta nel foro dell'estrattore (4.3.2 Fig. 3).
- Montare il percussore come descritto nella sezione 4.2.2.

### Modelli PDP OR

- Appoggiare l'otturatore con il dispositivo di mira rivolto verso il basso e la bocca orientata verso sinistra.
- Bloccare la molla a compressione nel foro della sicura del percussore affinché non fuoriesca, applicando un po' di olio per armi (non grasso!) sulla molla, prima di inserire la molla nel foro della sicura del percussore. Inserire la sicura del percussore con la sua molla nel carrello-otturatore. La molla a compressione della sicura deve entrare a fondo nella cavità appositamente praticata nell'otturatore. La sicura correttamente posizionata viene a trovarsi leggermente al di sotto della superficie di scorrimento della cartuccia (4.3.2 Fig. 1).
- Collocare l'estremità lunga dell'estrattore dietro sul raggio della guida dell'estrattore nell'otturatore e con il pollice dell'altra mano premere leggermente l'estrattore contro l'otturatore.
- Premere la sicura del percussore verso l'interno, finché non è a filo con la superficie dell'otturatore e al contempo inserire l'asse estrattore dall'alto. Premere l'estrattore con i pollici e fare attenzione che i fori siano allineati quando si inserisce il perno.
- Installare la piastra di chiusura o la visiera reflex e la piastra adattatore come descritto nel paragrafo 5.4.3.

### 4.4 Caricatore

#### 4.4.1 Smontaggio



### ATTENZIONE

Usare una protezione adeguata per gli occhi durante lo smontaggio del caricatore. Procedere con cautela allo smontaggio del caricatore, perché la molla del caricatore è sotto pressione. Durante la rimozione del fondello, controllare che il supporto del fondello e la molla non fuoriescano causando lesioni.

EN

DE

FR

ES

IT

# PDP PISTOLS

## 4 SMONTAGGIO, PULIZIA, LUBRIFICAZIONE E MANUTENZIONE

1. Usando un punzone da 4 mm, premere il supporto del fondello attraverso l'apertura prevista sul fondello (4.4.1 Fig. 1).

+2 Caricatore:

Spingere completamente indietro il fondello del caricatore, fino al punto di fine corsa sul corpo caricatore. Introdurre la punta ottusa di un giraviti nell'apertura del ritegno del fondello sul retro del caricatore. Spingere il ritegno del fondello verso i labbri del caricatore finché il ritegno fuoriesce (4.4.1 Fig. 2).

2. Spingere in avanti il fondello e toglierlo dal corpo del caricatore, continuando a premere il supporto del fondello nel corpo.
3. Rimuovere con attenzione il supporto del fondello e la molla dal corpo del caricatore attraverso la parte inferiore del corpo.
4. Scuotere leggermente l'alimentatore per far uscire il corpo del caricatore.



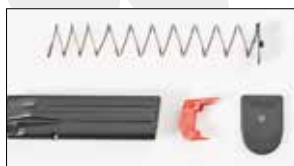
4.4.1 Fig. 1



4.4.1 Fig. 2

### 4.4.2 Montaggio

1. Procedendo in ordine inverso, reinstallare l'alimentatore e la molla del caricatore con il supporto del fondello nel corpo del caricatore, facendo attenzione al corretto allineamento dei pezzi (4.4.2 Fig. 1 e 2). I pezzi devono essere montati senza esercitare forza.



4.4.2 Fig. 1

2. Premendo il supporto del fondello nel corpo del caricatore, spingere il fondello sul corpo in modo che la sporgenza rotonda del supporto del fondello si innesti nel foro del fondello con un clic udibile.

+2 Caricatore:

Appoggiare l'estremità posteriore del ritegno contro la parete posteriore del caricatore, mentre il ritegno stesso va premuto nel caricatore. Spingere il fondello del caricatore procedendo dal lato anteriore fino all'arresto fine corsa. Spingere il lato posteriore del ritegno del fondello nel caricatore fino all'innesto di posizione.



4.4.2 Fig. 2

### 4.5 Pulizia



#### **ATTENZIONE**

Prima di ogni intervento occorre accertarsi che la pistola ed il caricatore siano scarichi.

Pulire la pistola dopo ogni utilizzo e se è stata esposta a condizioni climatiche estreme. La pistola deve essere pulita prima di essere utilizzata per la prima volta. Per proteggere l'arma dalla corrosione è stato utilizzato dell'olio oppure un mezzo protettivo. Prima di usare la pistola, rimuovere con un panno morbido ogni eccesso di olio fuoriuscito dalla canna, dalla camera di cartuccia e sulle superfici esterne. Smontare i componenti principali della pistola. Partendo dalla camera di cartuccia, pulire la canna e la camera con un buon solvente e uno scovolo. Rimuovere i residui di fumo dall'interno della canna utilizzando una spazzola di pulitura finché canna e camera di cartuccia sono completamente pulite. Strofinare le superfici pulite con un panno e con delle bacchette di cotone. Con una spazzolina immersa in solvente, rimuovere tutti i depositi attorno alla canna, alla camera di cartuccia, all'estrattore e nelle aree adiacenti che risultassero sporche. Pulire ogni residuo dal fusto spazzolando delicatamente e utilizzando un solvente. Dopo la pulizia, sulle superfici metalliche esterne deve essere applicato un leggero strato di olio di buona qualità per armi. Se la pistola deve essere utilizzata o conservata in un ambiente freddo, usare un olio per armi raccomandato per l'impiego a basse temperature.

### 4.6 Lubrificazione

Dopo avere pulito tutta la pistola, con un panno applicare un leggero strato di olio di buona qualità per armi su tutte le superfici metalliche esterne.

Fare attenzione a non lubrificare più del necessario. Se si formano delle gocce d'olio oppure se dell'olio cola attraverso la pistola, significa che è stata applicata una quantità eccessiva di olio. Un eccesso di olio favorisce la concentrazione dello sporco e dei residui di fumo nella pistola e nuoce al suo buon funzionamento. Non introdurre olio nel canale del percussore (4.6 Fig. 1).



#### **AVVERTENZA**

Seguire sempre le istruzioni fornite con il detergente e il lubrificante per armi. Alcuni prodotti detergenti possono danneggiare la pistola. Non lasciare agire troppo a lungo i solventi ed evitare una pulizia prolungata in un bagno a ultrasuoni (temperatura massima per la pulitura a ultrasuoni: 50°C). Utilizzare esclusivamente i prodotti raccomandati specificamente per la manutenzione delle armi. La mancata osservanza di queste avvertenze può provocare un danneggiamento della finitura della pistola. Per la pulizia delle pistole WALTHER non devono essere utilizzate soluzioni alcaline e contenenti ammoniaca.

# PDP PISTOLS

## 4 SMONTAGGIO, PULIZIA, LUBRIFICAZIONE E MANUTENZIONE

- **Canna:**

Con un panno applicare un leggero strato di olio di buona qualità per armi su tutte le superfici metalliche esterne e sulla rampa in cui il blocco oscillante si innesta sulla canna.

- **Fusto:**

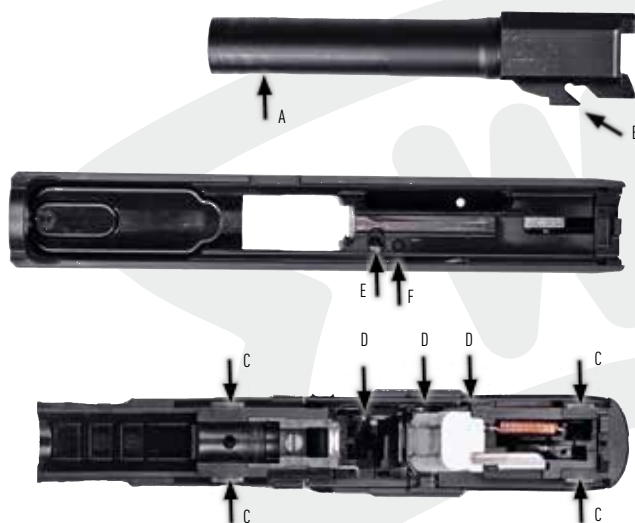
Oliare le guide del carrello-otturatore e il gruppo del grilletto con una goccia di olio.

- **Carrello-otturatore:**

Applicare una sola goccia di olio sul l'asse della sicura e la superficie come sulla figura.

- **Caricatore:**

Applicare un leggero strato di olio di buona qualità per armi su tutte le superfici metalliche esterne.



### 4.7 Preparazione per la conservazione

Rispettare tutte le leggi che regolamentano la conservazione di armi da fuoco. È necessario conoscere tutte le leggi locali, regionali e statali riguardanti la conservazione sicura di armi e munizioni. Non conservare la pistola in qualcosa che attiri o trattenga l'umidità (ad esempio cuoio o stracci spessi).

Se la pistola deve essere conservata per un periodo prolungato, proteggere la canna, la camera di cartuccia e i pezzi interni con olio di alta qualità per armi o un agente protettivo previsto per le armi. I pezzi esterni, il carrello-otturatore, la canna e il caricatore, devono essere trattati con un prodotto anticorrosione.

Pulire la pistola prima di riutilizzarla. Durante ogni operazione di pulizia, prestare attenzione anche ai segni di usura. Qualora si rilevi la presenza di segni di usura inconsueti, far controllare la pistola da un armaiolo qualificato o da WALTHER.



## 5 REGOLAZIONE DELLA PISTOLA SECONDO LE ESIGENZE DELL'UTILIZZATORE

### 5.1 Ritegno del caricatore

Il ritegno del caricatore può essere convertito dalla modalità operativa a sinistra alla modalità operativa a destra. Per la conversione occorrono un perno avente un diametro di 1 mm e un piccolo cacciavite (circa 2,5 mm).

1. Mantenete premuto il ritegno del caricatore. Ciò facendo, l'estremità opposta del ritegno fuoriesce dall'impugnatura e offre un piccolo foro disposto sul lato posteriore. Introducete il perno di 1 mm nel foro (5.1 Fig. 1).
2. Premete il perno nel foro agendo contro l'arresto di fine corsa. Questa operazione provoca l'apertura del collegamento a scatto del tappo per il ritegno del caricatore (le singole parti sono illustrate al punto 5.1 Fig. 2).
3. Sollevate il tappo con un cacciavite e rimuovetelo (5.1 Fig. 3). Qualora in tal modo il tappo non dovesse essere rimovibile, provate di sollevarlo con il cacciavite mentre introducete il perno nel foro.
4. Estraiete il ritegno del caricatore (5.1 Fig. 4) e la molla di pressione dal lato opposto.
5. Inserite la molla di pressione sul lato dal quale il ritegno del caricatore deve essere utilizzabile (5.1 Fig. 5).
6. Introducete il ritegno del caricatore dallo stesso lato a partire dal quale è stata infilata la molla di pressione (5.1 Fig. 6).
7. Mantenete premuto il ritegno del caricatore mentre provvedete ad inserire il tappo dal lato opposto. Spingete il tappo nel ritegno del caricatore fino ad avvertirne l'incastro che avviene con un clic udibile (5.1 Fig. 7 e 8).



5.1. Fig.1



5.1. Fig. 2



5.1. Fig. 3



5.1. Fig. 4



5.1. Fig. 5



5.1. Fig. 6



5.1. Fig. 7



5.1. Fig. 8

### 5.2 Impugnatura

La pistola offre la possibilità di adattare la dimensione dell'impugnatura alle proprie esigenze scegliendo la misura e la forma del dorsolino, per una maggiore comodità. Premere il perno sotto la parte posteriore del dorsolino con un punzone (4mm), e procedere alla sostituzione del dorsolino dell'impugnatura con uno più comodo, poi rimontare il perno (5.2 Fig. 1). La pistola offre la scelta fra dorsali di misura Small, Medium e Large.



5.2 Fig. 1

### 5.3 Anello portacorreggiolo

All'estremità inferiore del dorsolino dell'impugnatura si trova un anello per l'aggancio di un portacorreggiolo. Il perno usato per fissare il dorsolino dell'impugnatura forma, assieme a una cavità prevista in quest'ultima, un occhiello per l'aggancio di un portacorreggiolo. Per agganciare un portacorreggiolo, espellere il perno nella parte inferiore del dorsolino con l'ausilio di un punzone da 4 mm, inserire il portacorreggiolo, poi riposizionare il perno.

### 5.4 Dispositivi di mira

Il mirino e la tacca di mira si possono sostituire. Il punto d'impatto può essere regolato lateralmente e in altezza.



## AVVERTENZA

Prima di apportare modifiche occorre accertarsi che la pistola e il caricatore siano scarichi.

Smontare la pistola come descritto nel capitolo 4.1.1.

#### 5.4.1 Dispositivi di mira in polimero

##### MIRINO

Estrarre la vite del mirino sfilandola dalla parte inferiore del mirino. Espellere il mirino verso l'alto. Il rimontaggio avviene nell'ordine inverso. Avvitare la vite del mirino finché non è a filo (5.4.1 Fig. 1).



5.4.1 Fig. 1

##### TACCA DI MIRA

In caso di derivazione verso l'alto ruotare la vite posteriore in senso orario, in caso di derivazione verso il basso ruotarla in senso antiorario. Ruotando la vite, per ogni click il punto d'impatto viene spostato di circa 2 cm su una distanza di 25 m. In caso di derivazione a sinistra ruotare la vite anteriore della tacca di mira in senso orario, in caso di derivazione a destra ruotarla in senso antiorario. Ruotando la vite, per ogni click il punto d'impatto viene spostato di circa 1 cm su una distanza di 25 m (5.4.1 Fig. 2).



5.4.1 Fig. 2

## 5 REGOLAZIONE DELLA PISTOLA SECONDO LE ESIGENZE DELL'UTILIZZATORE



### 5.4.2 Dispositivi di mira in acciaio

#### REGOLAZIONE IN ALTEZZA

Estrarre la vite del mirino ed espellere il mirino verso l'alto. Il rimontaggio avviene nell'ordine inverso (5.4.2 Fig. 1). Fare attenzione che sulla vite e sulla filettatura all'interno del mirino non siano presenti olio o grasso.

La filettatura della vite del mirino dev'essere bloccata con una colla industriale (ad es. Loctite 648). Per serrare la vite del mirino applicare una coppia di 1 Nm.

#### REGOLAZIONE LATERALE

Per procedere alla regolazione laterale, spostare lateralmente la tacca di mira con l'ausilio dell'apposito utensile di regolazione (accessorio speciale).

Per la regolazione, spostare la tacca di mira nella direzione in cui si deve spostare il punto d'impatto. Se ad esempio si deve spostare il punto d'impatto verso destra, spostare la tacca di mira verso destra.



5.4.2 Fig. 1

EN

DE

FR

ES

IT

### 5.4.3 Sostituzione della piastra di montaggio

Piastre di montaggio per diverse visiere reflex sono disponibili come accessori speciali che consentono di montare organi di mira di marca Trijicon (02), Leupold (04) e Docter/Vortex (06) con una lunghezza totale massima di 49 mm. Sulle piastre di montaggio sono applicate iscrizioni corrispondenti.

Per il montaggio della corretta piastra di montaggio, smontare la pistola come descritto nel capitolo 4.1.1.

Allentare le due viti con un cacciavite (T10, 5.4.4 Fig. 1) e rimuovere la piastra dall'otturatore.



5.4.3 Fig. 1



5.4.3 Fig. 2



#### NOTA:

Non scambiare le viti con viti appartenenti a un'altra tacca di mira. Le viti presentano una filettatura metrica M3x6 (5.4.3 Fig. 2). La filettatura di queste viti è provvista di un frenafilletti blu.

Montare la nuova base di montaggio sull'otturatore. Durante il serraggio delle viti (5.4.3 Fig. 3) tirare la piastra di montaggio in direzione dell'arresto anteriore (fino all'estremità della bocca dell'otturatore).

Serrare le due viti esagonali (con una coppia di circa 2 Nm). È ora possibile montare la tacca di mira sostitutiva seguendo le relative istruzioni (5.4.3 Fig. 4).



5.4.3 Fig. 3



#### NOTA:

Accertarsi che le viti di fissaggio siano della lunghezza corretta per garantire che gli accessori siano ben fissati. Fissare le viti con colla industriale (per es. Loctite 648) per evitare che si allentino involontariamente. Le piastre di montaggio attualmente disponibili si trovano sul nostro sito web.

Prima di scattare, assicuratevi che gli accessori siano saldamente inseriti.

Sparare senza piastra di copertura o base di montaggio può portare alla perdita il perno dell'estrattore e dell'estrattore.



5.4.3 Fig. 4

## 6 SPECIFICHE TECNICHE

### 6 SPECIFICHE TECNICHE PDP COMPACT

	PDP Compact		
Calibro	9mm x 19		
Capacità caricatore	15 colpi		
Modello	4"	4.5"	5"
Lunghezza canna *	102	115	127
Dimensioni totali, (L/L/A) *	184 / 34 / 135	197 / 34 / 135	210 / 34 / 135
Peso, pistola con caricatore vuoto	685 g	700 g	735 g
Larghezza linea di mira	163	176	188
Larghezza, mirino / Altezza, mirino	3,7 mm / 3,7 mm		
Energia di espulsione E3, peso proiettile	500 J 8 g		
Profilo canna, Passo rigatura	Poligono, 250 mm, rigatura destrorsa		
Funzionamento	a corto rinculo di canna, tipo Browning		
Sistema di chiusura	a percussore interno (senza cane)		
Configurazione	Performance Duty Trigger (PDT)		
Forza/corsa grilletto	25 N / 9 mm (identica per ogni sparo)		
rilascio rivista	rimovibile		
Dimensione dell'impugnatura, regolabile	Dorsalino dell'impugnatura S/M/L		
Opzioni di mirino riflesso (Modelli OR)	49 mm, p. es. Docter/Vortex, Leupold, Trijicon		
Dispositivi di sicurezza	Interruttore, sicura del grilletto e del percussore		
Materiali	carrello-otturatore e canna: acciaio al carbonio con trattamento Tenifer®, fusto: polimero ad alta resistenza		

\*La canna e la lunghezza totale delle pistole con canna filettata è di 15 mm (0,6") più lunga di quella menzionata sopra. La filettatura della canna è 1/2"-28 UNEF.

Dati basati su cifre medie. I valori effettivi possono variare.

Tenifer® is a registered trademark of Durferrit GmbH, Germany.

EN

DE

FR

ES

IT

### 6 SPECIFICHE TECNICHE PDP FULL SIZE

	PDP Full Size		
Calibro	9mm x 19		
Capacità caricatore	18 colpi		
Modello	4"	4,5"	5"
Lunghezza canna *	102	115	127
Dimensioni totali, (L/L/A) *	184 / 34 / 143	197 / 34 / 143	210 / 34 / 143
Peso, pistola con caricatore vuoto	695 g	715 g	740 g
Larghezza linea di mira	163	176	188
Larghezza, mirino / Altezza, mirino	3,7 mm / 3,7 mm		
Energia di espulsione E3, peso proiettile	500 J 8 g		
Profilo canna, Passo rigatura	Poligono, 250 mm, rigatura destrorsa		
Funzionamento	a corto rinculo di canna, tipo Browning		
Sistema di chiusura	a percussore interno (senza cane)		
Configurazione	Performance Duty Trigger (PDT)		
Forza/corsa grilletto	25 N / 9 mm (identica per ogni sparo)		
rilascio rivista	rimovibile		
Dimensione dell'impugnatura, regolabile	Dorsalino dell'impugnatura S/M/L		
Opzioni di mirino riflesso (Modelli OR)	49 mm, p. es. Docter/Vortex, Leupold, Trijicon		
Dispositivi di sicurezza	Interruttore, sicura del grilletto e del percussore		
Materiali	carrello-otturatore e canna: acciaio al carbonio con trattamento Tenifer®, fusto: polimero ad alta resistenza		

\*La canna e la lunghezza totale delle pistole con canna filettata è di 15 mm (0,6") più lunga di quella menzionata sopra. La filettatura della canna è ½"-28 UNEF.

Dati basati su cifre medie. I valori effettivi possono variare.

Tenifer® is a registered trademark of Durferrit GmbH, Germany.

EN

DE

FR

ES

**IT**

WALTHER





EN

DE

FR

ES

**IT**

WALTHER



WALTHER



## Carl WALTHER GmbH

### Sales / Service

#### Carl Walther GmbH

Im Lehrer Feld 1

D - 89081 Ulm

Germany

Phone +49 / (0)731 / 1539-0

Fax +49 / (0)731 / 1539-109

[sales@carl-walther.de](mailto:sales@carl-walther.de)

[www.carl-walther.com](http://www.carl-walther.com)

N W A L T H E R

All technical changes and modifications reserved.

Technische Änderungen vorbehalten.

Sous réserve de modifications techniques.

Queda reservado el derecho a realizar cambios.

Con riserva di modifichite tecniche.

Copyright © 2022 - Carl Walther GmbH